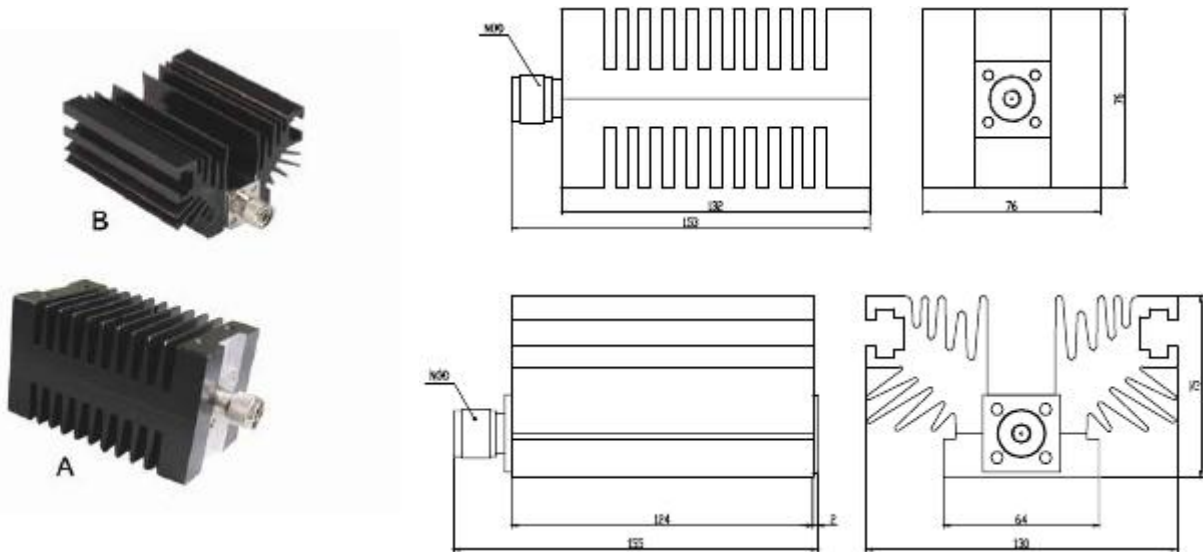


Model UCL-WHT150 150 Watts DC-10GHz



Coaxial fixed terminations absorb RF & microwave energy and are commonly used as dummy loads of antenna and transmitter. They are also used as match ports in many multiport microwave device such as circulator and directional coupler to make these ports which are not involved in the measurement be terminated in their characteristic impedance in order to ensure an accurate measurement.

UCL-WHT serial coaxial fixed termination's average power 50W-500W, frequency range dc-18GHz and feature wide frequency band, low VSWR, excellent capacity in anti-pulse and anti-burnout.

MECHANICAL SPECIFICATIONS

Connectors	Brass Nickel Plated
Male Pin	Brass Gold Plated
Female Pin	Beryllium Copper Gold Plated
Housing	Aluminum, Black Anodize
Temp Range	-55° C ~ +125° C
Dimensions	A:153x76x76mm; B:155x130x75mm
Weight	A:1.45Kg; B:1.42Kg

RoHS Compliant: Yes

ELECTRICAL SPECIFICATIONS

Model Number	Frequency Range (GHz)	Max VSWR
UCL-WHT150-4	DC-4	1.15
UCL-WHT150-8	DC-8	1.25
UCL-WHT150-10	DC-10	1.35

NOMINAL IMPEDANCE: 50Ω

AVERAGE POWER: 150W average to 25°C ambient temperature, derated linearly to 15W @ 125°C.

PEAK POWER: 5KW (5μs pulse width with 3% duty cycle)

3rd ORDER INTERMODULATION(Optional): Reflected Levels(IM3) <-100dBc with two input signals @935MHz and 960MHz with average carrier power levels of +43dBm each.

CONNECTOR TYPE: N

Notes:

1. Dimensions Tolerance ±2%
2. Dimensions and specifications refer to connector type N unless otherwise specified.
3. Custom designs available.