

# LOW PIM TERMINATION N/MALE 698-2700 MHZ 30 WATTS

UCL-WHT30-PIM

## SPECIFICATIONS

### ELECTRICAL:

FREQUENCY: 698-2700 MHZ  
 VSWR: 1.1 TYP  
 1.2 MAX  
 POWER (AVG) 30 WATTS @ 25 DEG C  
 POWER DERATES -1.2%/°C ABOVE 55 C°  
 POWER PEAK: 5kW  
 IMPEDANCE: 50 OHMS  
 PIM: -165 dBc TYP;  
 <-160 dBc WITH 2 x 20W TONES @ 25°C

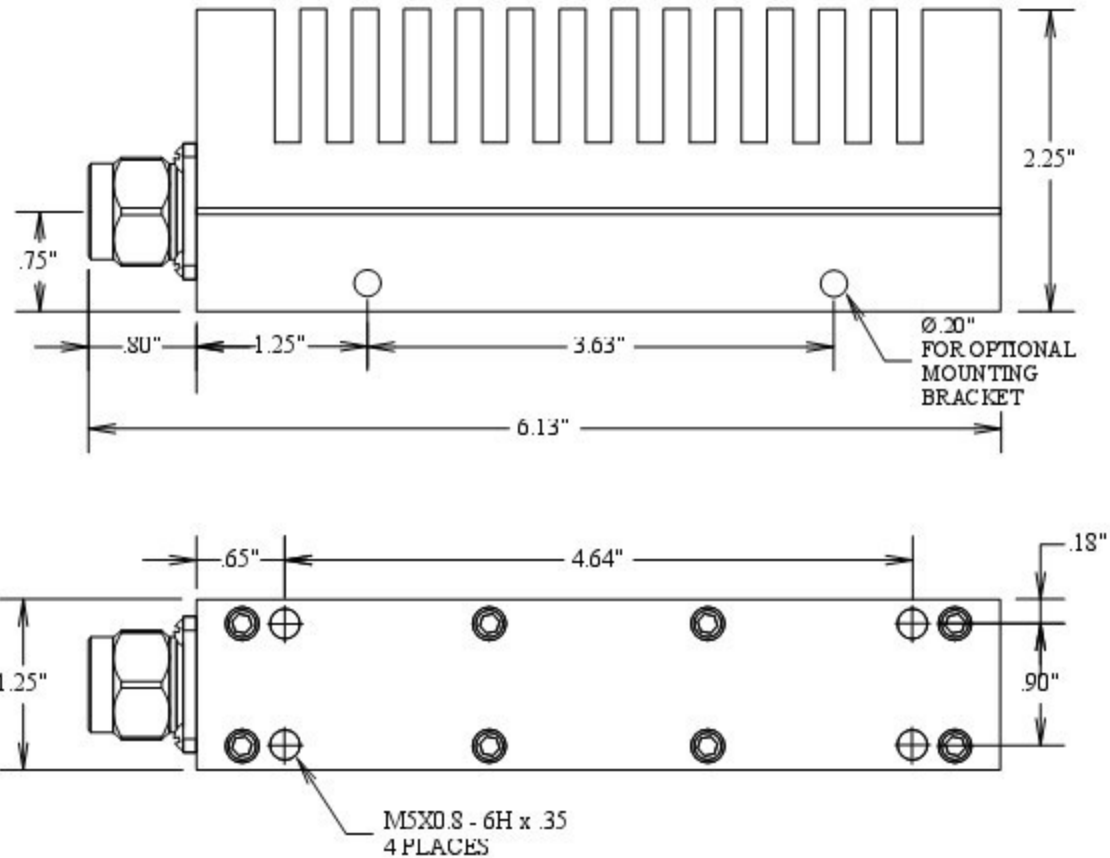
### MECHANICAL:

CONNECTOR FINISH: TRIMETAL PLATING  
 CONTACT PLATING: Au PER MIL-G-45204

### ENVIRONMENTAL:

TEMP: -35° C TO +55° C  
 IP67  
 SURFACE TEMP: +90°C MAX

\*\*OPTIONAL MOUNTING BRACKET AVAILABLE



<b>Universal Cooperate Ltd.</b>			
Web: <a href="http://www.ucl-microwave.com">www.ucl-microwave.com</a> E-mailsales@ucl-microwave.com			
TITLE			
<b>LOW PIM TERMINATION N/MALE 698-2700 MHZ 30 WATTS</b>			
SIZE	CAGE CODE	DWG NO	REV
<b>A</b>	<b>3FKR5</b>	<b>UCL-WHP30-PIM</b>	-
SCALE		SHEET	