

STEP ATTENUATORS 0-99DB DC-18GHz 2W

UCL-VA2-2-XX-X-A6

ELECTRICAL SPECIFICATIONS

Model Number	Frequency Range(GHz)	Attenuation Step Size	Max VSWR	Insertion Loss(dB)	Attenuation Accuracy (dB)
UCL-VA2-2-69-4-A6	DC-4	0-69dB in 1dB steps	1.35	≤0.75	±0.5dB (0~9dB) ±1.0dB(10~19dB)
UCL-VA2-2-69-8-A6	DC-8		1.50	≤1.0	±1.5dB(20~49dB) ±2.0dB(50~70dB)
UCL-VA2-2-69-12.4-A6	DC-12.4		1.60	≤1.25	±0.8dB (0~9dB) ±1.0dB(10~19dB)
UCL-VA2-2-69-18-A6	DC-18		1.75	≤1.5	±1.5dB(20~49dB) ±2.0dB(50~70dB)
UCL-VA2-2-99-4-A6	DC-4	0-99dB in 1dB steps	1.35	≤0.75	±0.5dB (0~9dB) ±1.0dB(10~19dB)
UCL-VA2-2-99-8-A6	DC-8		1.50	≤1.0	±1.5dB(20~49dB) ±1.9dB(50~69dB) ±2.5dB(70~99dB)
UCL-VA2-2-99-12.4-A6	DC-12.4		1.60	≤1.25	±0.8dB (0~9dB) ±1.0dB(10~19dB)
UCL-VA2-2-99-18-A6	DC-18		1.75	≤1.5	±1.5dB(20~49dB) ±1.9dB(50~69dB) ±2.5dB(70~99dB)

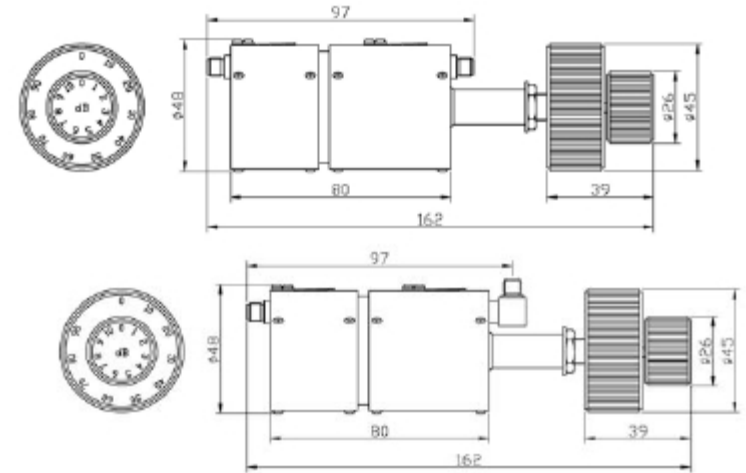
NOMINAL IMPEDANCE: 50Ω

AVERAGE POWER: 2W

PEAK POWER: 100W (5μs pulse width with 2% duty cycle)

CONNECTOR TYPE: SMA (F, F)

REVISION HISTORY			
REV	DESCRIPTION	DATE	APPROVED
A	PRODUCTION RELEASE	6/10/2011	YF



MECHANICAL SPECIFICATIONS

Connectors	Stainless Steel
Female Pin	Beryllium Copper Gold Plated
Housing	Aluminum
Temp Range	-20°C~+85°C
Dimensions	Φ48×162mm
Weight	480g

ALL DIMENSIONS IN inches(MM) Typical



Universal Cooperate Ltd.

Web:www.ucl-microwave.com

46 Langham Rd
Edgware,
HA8 9EL The UK

TITLE

STEP ATTENUATORS 0-99DB DC-18GHz 2W

SIZE

A

CAGE CODE

MODEL

UCL-VA2-2-XX-X-A6

REV

A

SCALE 1:1

DOC FAMILY VA

SHEET 1 OF 1