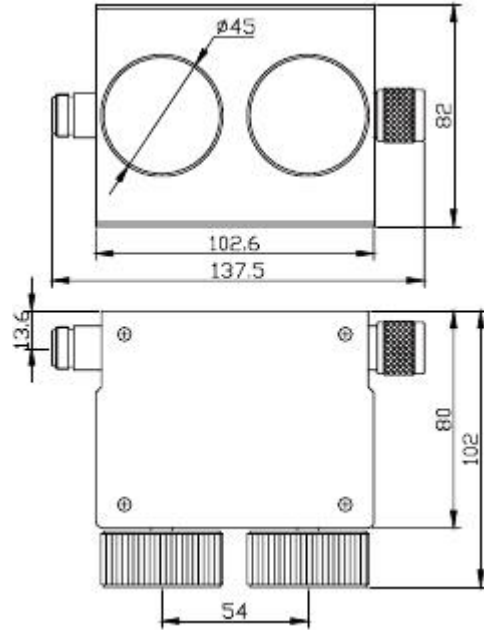


Model UCL-VA2-2-XX-18-A7 DC-18GHz 2 Watts



Rotary Step attenuators are used to adjust the power signal level by step within certain frequency range without power off, they can also be used to adjust the test system's power level as inset attenuators, it is small with high accuracy and high stability etc.

UCL-VA2-2-XX-18-A7 type rotary step attenuators' average power 2W, frequency range from DC-18GHz, attenuation value 0-99dB by 1dB step.



MECHANICAL SPECIFICATIONS

Connectors	Male Pin	Female Pin	Housing	Temp Range	Dimensions	Weight
Stainless Steel	Brass Gold Plated	Beryllium Copper Gold Plated	Aluminum Anodic Oxidation	-20°C~+85°C	137.5x102x82mm	914g

RoHS Compliant: Yes

ELECTRICAL SPECIFICATIONS

Model Number	Frequency Range(GHz)	Attenuation Step Size	Max VSWR	Insertion Loss(dB)	Attenuation Accuracy (dB)
UCL-VA2-2-70-4-A7	DC-4	0-70dB in 1dB steps	1.35	≤0.75	±0.5dB (0~9dB)
UCL-VA2-2-70-8-A7	DC-8		1.50	≤1.25	±1.0dB(10~19dB)
UCL-VA2-2-70-12.4-A7	DC-12.4		1.60	≤1.5	±1.5dB(20~49dB)
UCL-VA2-2-70-18-A7	DC-18		1.75	≤1.75	±2.0dB(50~70dB)
UCL-VA2-2-99-4-A7	DC-4	0-99dB in 1dB steps	1.35	≤0.75	±0.5dB (0~9dB)
UCL-VA2-2-99-8-A7	DC-8		1.50	≤1.25	±1.0dB(10~19dB)
UCL-VA2-2-99-12.4-A7	DC-12.4		1.60	≤1.5	±1.5dB(20~49dB)
UCL-VA2-2-99-18-A7	DC-18		1.75	≤1.75	±2.5dB(70~99dB)

NOMINAL IMPEDANCE: 50Ω

AVERAGE POWER: 2W

PEAK POWER: 100W (5μs pulse width with 2% duty cycle)

CONNECTOR TYPE: N (M, F)

Notes:

1. Dimensions Tolerance ±2%
2. Custom designs available for other special attenuation value & accuracy