

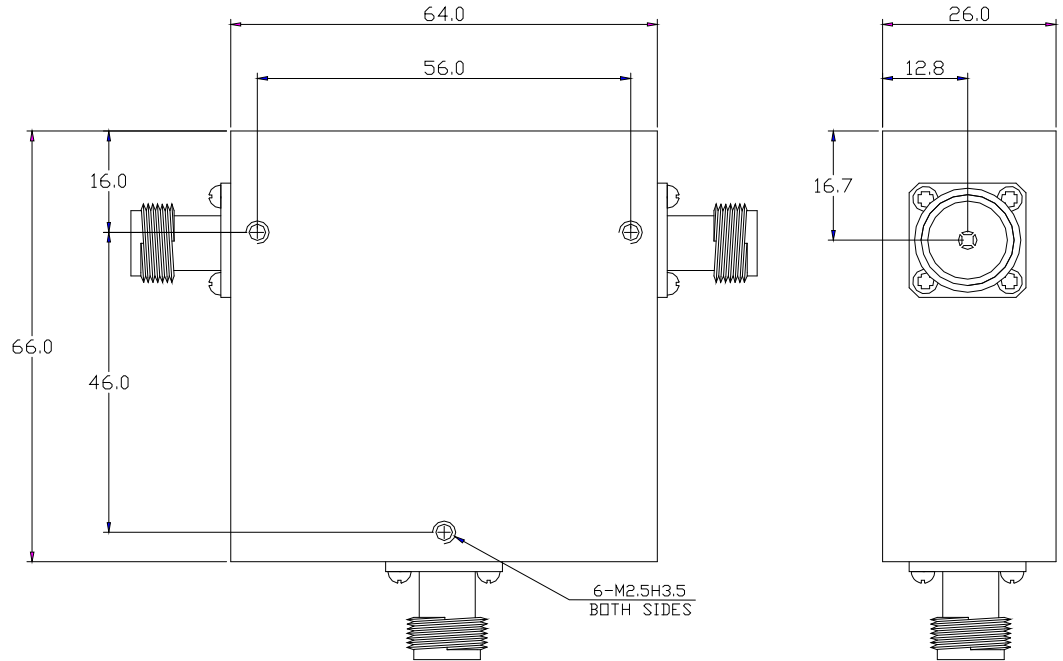
COAXIAL CIRCULATOR N/SMA 1-2GHZ 100W

UCL-TH12G

REVISION HISTORY			
REV	DESCRIPTION	DATE	APPROVED
A	PRODUCTION RELEASE	6/10/2011	YF

SPECIFICATIONS

FREQUENCY:1-2GHZ
 BANDWIDTH:FULL
 INSERTION LOSS:0.6DB MAX
 ISOLATION:17DB MIN
 VSWR:1.4 MAX
 POWER:100W
 CONNECTOR:N/SMA
 TEMPERATURE:+10-70°C



Universal Cooperate Ltd.
Web:www.ucl-microwave.com

46 Langham Rd
Edgware,
HA8 9EL The UK

TITLE			
COAXIAL CIRCULATOR N/SMA 1-2GHZ 100W			
SIZE	CAGE CODE	MODEL	REV
A		UCL-TH12G	A
SCALE 1:1	DOC FAMILY TH	SHEET 1 OF 1	