

COAXIAL ISOLATOR 1.35-2.7GHZ 200W

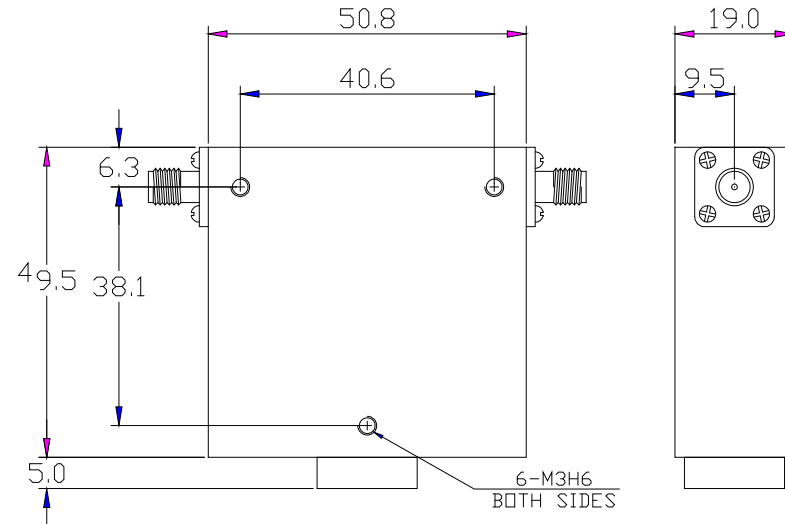
UCL-TG13527G

SPECIFICATIONS

ELECTRICAL

FREQUENCY:1.35-2.7GHZ
 BANDWIDTH:FULL
 INSERTION LOSS:0.7DB MAX
 ISOLATION:16DB MIN
 VSWR:1.35 MAX
 FWD/REV POWER:200/30W
 CONNECTOR:N/SMA
 TEMPERATURE:-10~+70°C

		REVISION HISTORY	
REV	DESCRIPTION	DATE	APPROVED
A	PRODUCTION RELEASE	6/10/2005	YF



Universal Cooperate Ltd.
 Web:www.ucl-microwave.com

46 Langham Rd
 Edgware,
 HA8 9EL The UK

TITLE COAXIAL ISOLATOR 1.35-2.7GHZ 200W			
SIZE A	CAGE CODE	MODEL UCL-TG13527G	REV A
SCALE 1:1	DOC FAMILY TG	SHEET 1 OF 1	