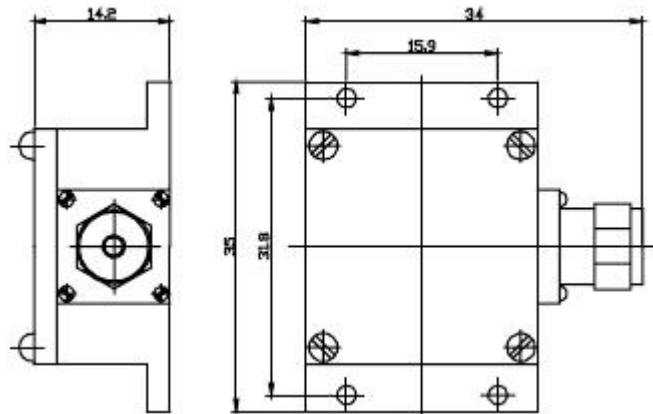


Model UCL-STF50 50 Watts DC-6GHz



Inset terminations are used in quantitatively absorbing energy of RF and microwave system, they are commonly used as dummy loads of antenna and transmitter. UCL-STF50 inset termination's average power 30W, frequency range from 7.5-8.5GHz and the features include wide frequency band, low VSWR, excellent capacity in anti-pulse and anti-burnout etc.

MECHANICAL SPECIFICATIONS	
Connectors	Brass Nickel Plated
Male Pin	Brass Gold Plated
Female Pin	Beryllium Copper Gold Plated
Housing	Aluminum
Temp Range	-55°C~+125°C
Dimensions	34×35×14.2mm
Weight	26g

RoHS Compliant: Yes

ELECTRICAL SPECIFICATIONS

Model Number	Frequency Range (GHz)	Max VSWR
UCL-STF50-3	DC - 3	1.25
UCL-STF50-6	3-6	1.35

NOMINAL IMPEDANCE: 50Ω

AVERAGE POWER: 50W average to 25°C ambient temperature, derated linearly to 5W @ 125°C.

PEAK POWER: 1KW (5μs pulse width with 3% duty cycle)

CONNECTOR TYPE: SMA(F)

Notes:

1. Dimensions Tolerance ±2%
2. Dimensions and specifications refer to connector type N unless otherwise specified.
3. Custom designs available.