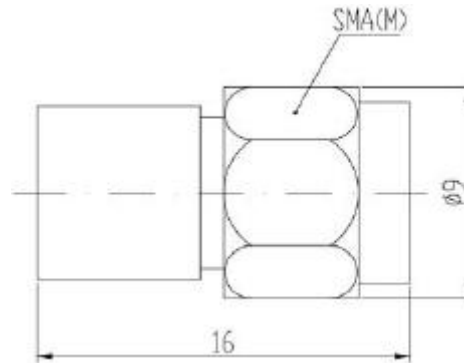


Model UCL-STE^G 2 Watts DC-26.5GHz



Coaxial fixed terminations absorb RF& microwave energy and are commonly used as dummy loads of antenna and transmitter. They are also used as match ports in many multiport microwave device such as circulator and directional coupler to make these ports which are not involved in the measurement be terminated in their characteristic impedance in order to ensure an accurate measurement. UCL-STE^G coaxial fixed termination's average power 2W, frequency range dc-26.5GHz and feature wide frequency band, low VSWR, excellent capacity in anti-pulse and

MECHANICAL SPECIFICATIONS	
Connectors	Brass Nickel Plated
Male Pin	Brass Gold Plated
Female Pin	Beryllium Copper Gold Plated
Housing	Brass Nickel Plated
Temp Range	-55° C ~ +125° C
Dimensions	Φ9×16mm
Weight	5g

RoHS Compliant: Yes

ELECTRICAL SPECIFICATIONS

Model Number	Frequency Range (GHz)	Max VSWR
UCL-STE ^G -1	DC-1	1.10
UCL-STE ^G -3	DC-3	1.15
UCL-STE ^G -4	DC-4	1.20
UCL-STE ^G -6	DC-6	1.20
UCL-STE ^G -12.4	DC-12.4	1.25
UCL-STE ^G -18	DC-18	1.25
UCL-STE ^G -26.5	DC-26.5	1.25

NOMINAL IMPEDANCE: 50Ω

AVERAGE POWER: 2W average to 25°C ambient temperature, derated linearly to 0.2W @ 125°C.

PEAK POWER: 0.25KW (5μs pulse width with 0.4% duty cycle)

CONNECTOR TYPE: SMA(M)

Notes:

1. Dimensions Tolerance ±2%
2. Dimensions and specifications refer to connector type N unless otherwise specified.
3. Custom designs available.