

ATTENUATORS 2W DC-18GHz

UCL-SSP

REVISION HISTORY

REV	DESCRIPTION	DATE	APPROVED
A	PRODUCTION RELEASE	6/10/2011	YF

ELECTRICAL SPECIFICATIONS

Model Number	Frequency Range (GHz)	Attenuation Value & Accuracy (dB)				Max VSWR
		1-9	10	20	30	
UCL-SSP-XX-3	DC-3	±0.5	±0.5	±0.6	±0.6	1.15
UCL-SSP-XX-4	DC-4	±0.5	±0.5	±0.6	±0.6	1.15
UCL-SSP-XX-6	DC-6	±0.6	±0.5	±0.8	±0.8	1.20
UCL-SSP-XX-8	DC-8	±0.6	±0.5	±0.8	±0.8	1.20
UCL-SSP-XX-12.4	DC-12.4	±0.8	±0.75	±1.0	±1.0	1.30
UCL-SSP-XX-18	DC-18	±1.0	±1.0	±1.0	±1.0	1.35

Note: XX refer to attenuation value in dB

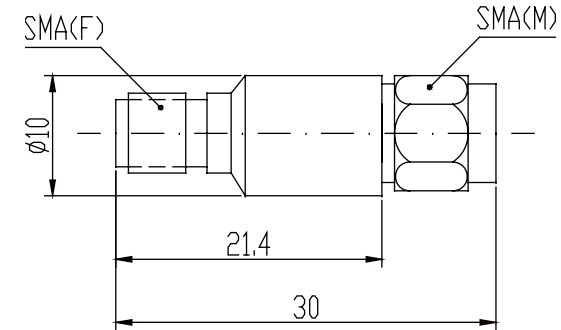
NOMINAL IMPEDANCE: 50Ω

AVERAGE POWER: 2W average to 25°C ambient temperature, derated linearly to 0.5W @ 125°C.

PEAK POWER: 0.5KW (5μs pulse width with 0.4% duty cycle)

CONNECTOR TYPE: SMAM,F)


RoHS Compliant: Yes



MECHANICAL SPECIFICATIONS

Connectors	Brass Gold Plated
Male Pin	Brass Gold Plated
Female Pin	Beryllium Copper Gold Plated
Housing	Brass Gold Plated
Temp Range	-55° C ~ +125° C
Dimensions	∅10×30mm
Weight	10g

ALL DIMENSIONS IN inches(MM) Typical

 Universal Cooperate Ltd. Web:www.ucl-microwave.com		46 Langham Rd Edgware, HA8 9EL The UK	
TITLE ATTENUATORS 2W DC-18GHz			
SIZE A	CAGE CODE	MODEL UCL-SSP	REV A
SCALE 1:1	DOC FAMILY SSP	SHEET 1 OF 1	