



REVISION HISTORY

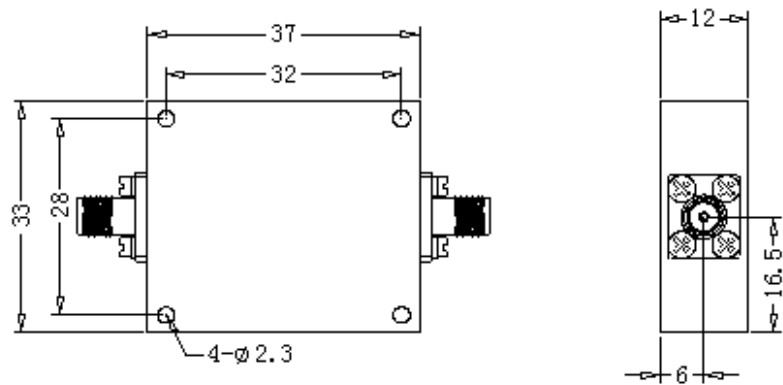
REV	DESCRIPTION	DATE	APPROVED
A	PRODUCTION RELEASE	6/10/2011	YF

HIGHPASS FILTER 1800-12000MHZ 20W

UCL-HPF1800-12

SPECIFICATIONS

FREQUENCY RANGE:1.8-12GHZ
 INSERTION LOSS:1.5DB MAX
 RIPPLE:1.2DBMAX
 VSWR: 1.8 MAX
 BAND REJECTION : 60DB @ DC-1400MHZ
 OPERATION TEMPERATURE: -40°C ~ +70°C
 CONNECTOR: SMA-K
 SURFACE COLOR: BLACK
 POWER:20W



Universal Cooperate Ltd.
 Web:www.ucl-microwave.com

46 Langham Rd
 Edgware,
 HA8 9EL The UK

TITLE				HIGHPASS FILTER 1800-12000MHZ 20W			
SIZE	CAGE CODE	MODEL		REV			
A		UCL-HPF1800-12		A			
SCALE 1:1		DOC FAMILY HPF		SHEET 1 OF 1			

