

# HIGHPASS FILTER SMA 15GHZ

UCL-HPF15-S

## SPECIFICATIONS

FREQUENCY RANGE:15975-16025MHZ

INSERTION LOSS: 1.5DB MAX

VSWR: 1.5 MAX

PIPPLE BAND:1.0DB MAX

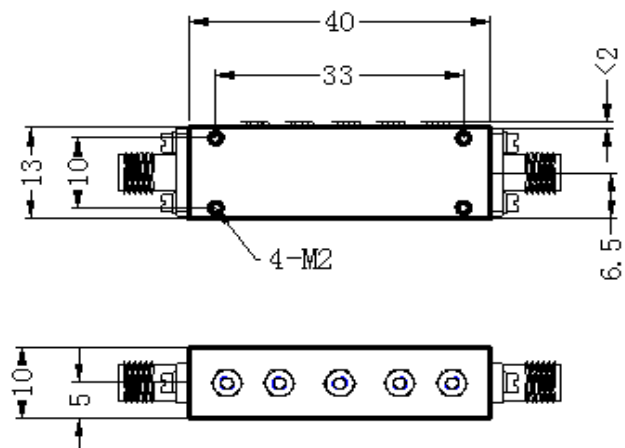
BAND REJECTION : 40DB @ DC-FO ± 400MHZ MIN


CONNECTOR: SMA-K

OPERATING TEMPERATURE: -40 ~ +70 °C

SURFACE COLOR: SILVER

REVISION HISTORY			
REV	DESCRIPTION	DATE	APPROVED
A	PRODUCTION RELEASE	6/10/2011	YF



 <b>Universal Cooperate Ltd.</b> Web:www.ucl-microwave.com		46 Langham Rd Edgware, HA8 9EL The UK	
TITLE			
<b>HIGHPASS FILTER SMA 15GHZ</b>			
SIZE	CAGE CODE	MODEL	REV
<b>A</b>		<b>UCL-HPF15-S</b>	<b>A</b>
SCALE 1:1	DOC FAMILY HPF	SHEET 1 OF 1	