

# HIGHPASS FILTER SMA-F 3-13GHZ

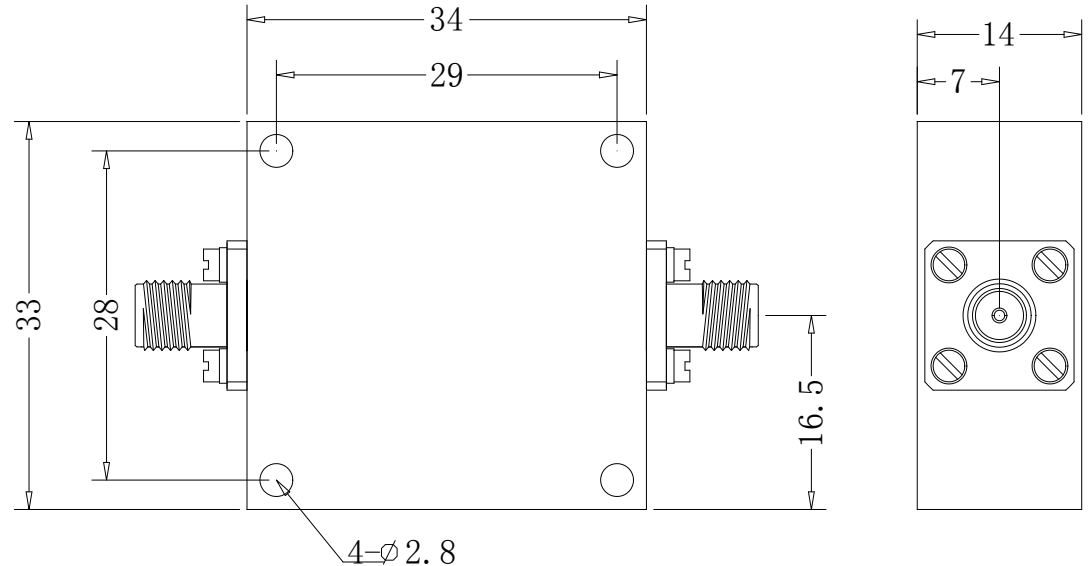
UCL-HPF0313F


## REVISION HISTORY

REV	DESCRIPTION	DATE	APPROVED
A	PRODUCTION RELEASE	6/10/2011	YF

## SPECIFICATIONS

FREQUENCY RANGE:3000-13000MHZ  
 INBAND LOSS: 1.5DB MAX  
 VSWR: 1.6 MAX  
 BAND REJECTION : 60DB @ DC-2500MHZ MIN  
 CONNECTOR: SMA-K  
 IMPEDANCE:50OHMS  
 SURFACE COLOR: BLACK  
 POWER:15W



 <b>Universal Cooperate Ltd.</b> Web:www.ucl-microwave.com		46 Langham Rd Edgware, HA8 9EL The UK	
TITLE			
<b>HIGHPASS FILTER SMA-F 3-13GHZ</b>			
SIZE	CAGE CODE	MODEL	REV
<b>A</b>		<b>UCL-HPF0313F</b>	<b>A</b>
SCALE 1:1	DOC FAMILY HPF	SHEET 1 OF 1	