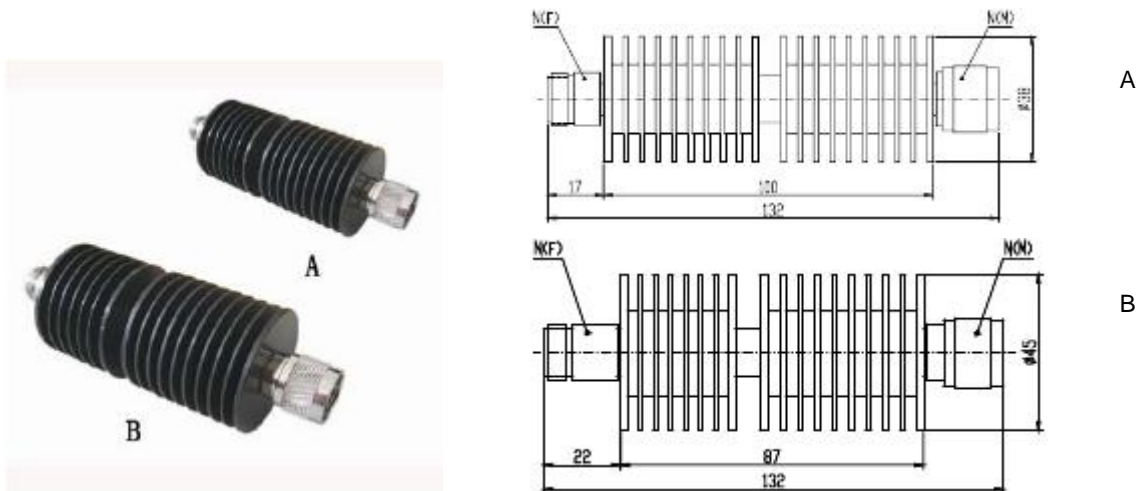


Model UCL-HP50GH DC-18GHz 50 Watts



Coaxial fixed attenuators are used in absorbing energy of transmission line, expanding power range and controlling power level, they are also used in accurately measuring power or spectrum of RF microwave transmitters accompany with small power meter, comprehensive tester or spectrum analyzer.

UCL-HP serial coaxial fixed attenuators' average power 10W-10KW, frequency range DC-26.5GHz and feature wide frequency band, low VSWR, flatness attenuation value, excellent capacity in anti-pulse and anti-burnout.

MECHANICAL SPECIFICATIONS	
Connectors	Brass Nickel Plated
Male Pin	Brass Gold Plated
Female Pin	Beryllium Copper Gold Plated
Housing	Aluminum, Black Anodize
Temp Range	-55° C ~ +125° C
Dimensions	A:Φ38×132mm B:Φ45×132mm
Weight	A:210g; B:230g

RoHS Compliant: Yes

ELECTRICAL SPECIFICATIONS

Model Number	Frequency Range(GHz)	Attenuation Value & Accuracy (dB)				Max VSWR
		10	20	30	40	
UCL-HP50GH-XX-4	DC-4	±0.8	±0.8	±0.8	±0.8	1.20
UCL-HP50GH-XX-8	DC-8	±1.0	±1.0	±1.0	±1.0	1.25
UCL-HP50GH-XX-12.4	DC-12.4	±1.2	±1.2	±1.25	±1.25	1.30
UCL-HP50GH-XX-18	DC-18	±1.5	±1.25	±1.5	±1.5	1.35

Note: XX refer to attenuation value in dB

NOMINAL IMPEDANCE: 50Ω

AVERAGE POWER: 50W average to 25°C ambient temperature, derated linearly to 5W @ 125°C.

PEAK POWER: 1KW (5μs pulse width with 5% duty cycle)

3rd ORDER INTERMODULATION(Optional): Reflected Levels(IM3) <-100dBc with two input signals @935MHz and 960MHz with average carrier power levels of +43dBm each.

CONNECTOR TYPE: N, SMA

Notes:

1. Dimensions Tolerance ±2%
2. Dimensions and specifications refer to connector type N unless otherwise specified.
3. Custom designs available for other special attenuation value & accuracy.