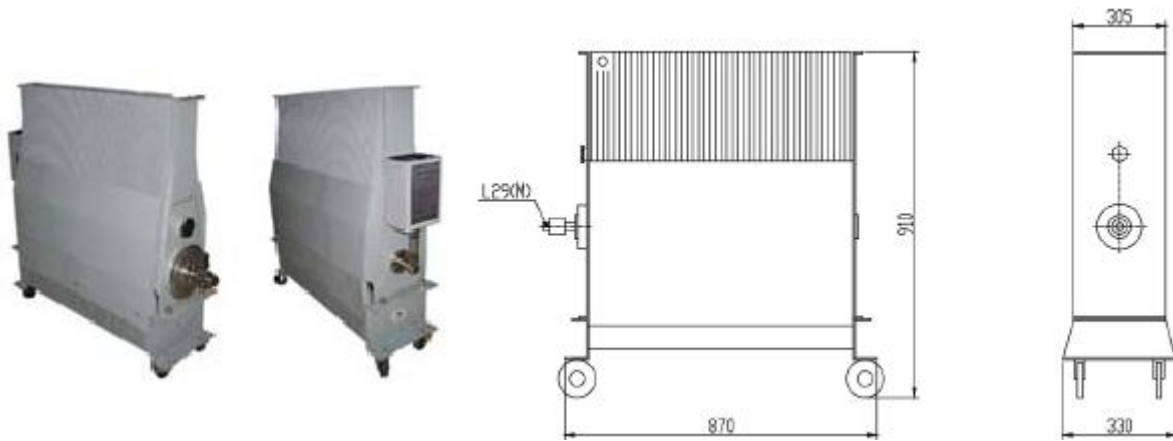


Model UCL-GLHT 100W-10kW DC-4GHz



UCL-GLHT power display terminations include power display unit and high power attenuators, it can be used to measure and display power from RF resource, it is supplied by DC-9V power.

MECHANICAL SPECIFICATIONS

Connectors	Brass Nickel Plated
Male Pin	Brass Gold Plated
Female Pin	Beryllium Copper Gold Plated
Housing	Aluminum, Gray Powder Coat
Temp Range	-55°C~+125°C
Dimensions	910×870×330mm
Weight	Determined based on power

ELECTRICAL SPECIFICATIONS

Model Number	Frequency Range (GHz)	Max VSWR
UCL-GLHT	0.1-4000MHz	1.1-1.5

NOMINAL IMPEDANCE: 50Ω

AVERAGE POWER: 100W-10KW

PULSE POWER: 10KW-200KW (5μs)

POWER ACCURACY: ±10%

CONNECTOR TYPE: N(F),L27(F),L29(F),L36(F),L52(F)

Notes:

1. Dimensions Tolerance ±2%
2. Dimensions and specifications refer to connector type N unless otherwise specified.
3. Custom designs available.