

REVISION HISTORY			
REV	DESCRIPTION	DATE	APPROVED
A	PRODUCTION RELEASE	6/10/2005	YF

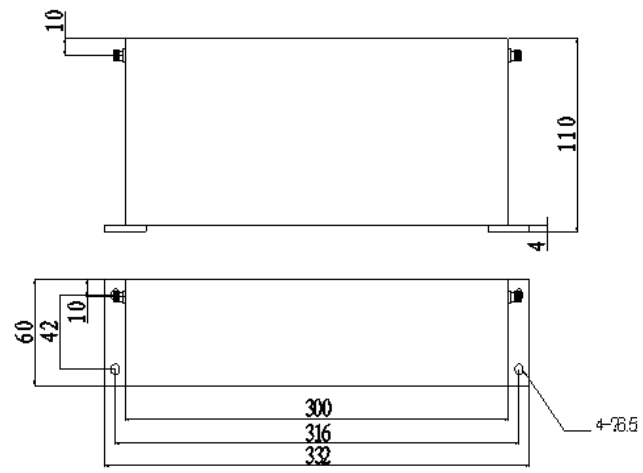
# SMA-K BANDREJECT FILTER 433-434MHZ


UCL-BRF433

## SPECIFICATIONS

### ELECTRICAL:

REJECT BAND:433-434MHZ  
 REJECT ATTENUATION:50DB MIN  
 PASSBANDS:1-428MHZ&439-1500MHZ  
 PASSBAND LOSS:1.5DB MAX  
 PASSBAND VSWR:1.8 MAX  
 IMPEDANCE:50 OHMS  
 CONNECTORS:SMA-K  
 SURFACE COLOR:BLACK



 <b>Universal Cooperate Ltd.</b> Web:www.ucl-microwave.com		46 Langham Rd Edgware, HA8 9EL The UK	
TITLE <b>SMA-K BANDREJECT FILTER 433-434MHZ</b>			
SIZE <b>A</b>	CAGE CODE	MODEL <b>UCL-BRF433</b>	REV <b>A</b>
SCALE 1:1	DOC FAMILY BRF	SHEET 1 OF 1	