

REVISION HISTORY			
REV	DESCRIPTION	DATE	APPROVED
A	PRODUCTION RELEASE	6/10/2005	YF

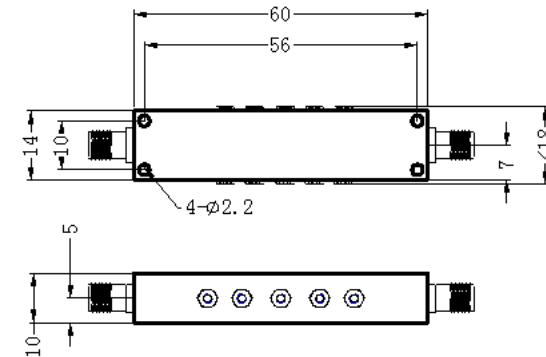
SMA-K BANDPASS FILTER


UCL-BPF11-0.4G

SPECIFICATIONS

ELECTRICAL

CENTER FREQUENCY:11000MHZ
 INSERTION LOSS:2.0DB MAX
 REJECTION:70DB@FO±900MHZ
 VSWR:1.50:1 MAX
 CONNECTORS:SMA-K
 OPERATION TEMPERATURE:-40~+70°C



 Universal Cooperate Ltd. Web:www.ucl-microwave.com		46 Langham Rd Edgware, HA8 9EL The UK	
TITLE			
SMA-K BANDPASS FILTER			
SIZE	CAGE CODE	MODEL	REV
A		UCL-BPF11-0.4G	A
SCALE 1:1	DOC FAMILY BPF	SHEET 1 OF 1	