

BANDPASS FILTER 700MHZ-3000MHZ 1W

UCL-BPF073G-N

ELECTRICAL SPECIFICATIONS

FREQUENCY RANGE :700-3000MHZ

INSERTION LOSS: 2.0DB MAX

REJECTION:60DB @ 450MHZ & 4750MHZ

VSWR:1.8 MAX

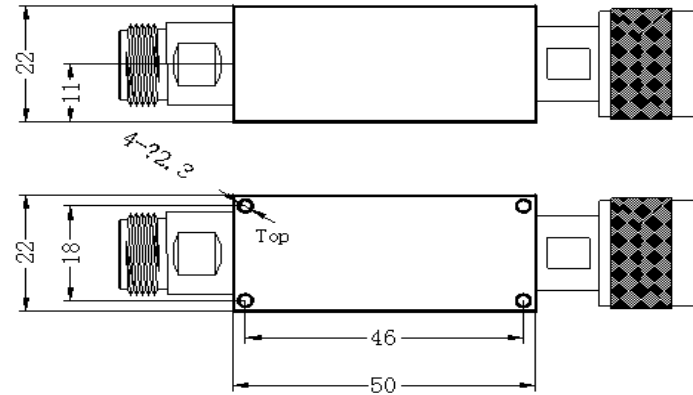
CONNECTORS: N-K,N-J

OPERATION TEMPERATURE: -40 ~ +70°C

SURFACE COLOR: SILVER

POWER HANDLING: 1W MAX

REVISION HISTORY			
REV	DESCRIPTION	DATE	APPROVED
A	PRODUCTION RELEASE	6/10/2005	YF



Universal Cooperate Ltd.

Web:www.ucl-microwave.com

46 Langham Rd
Edgware,
HA8 9EL The UK

TITLE

BANDPASS FILTER 700MHZ-3000MHZ 1W

SIZE	CAGE CODE	MODEL	REV
A		UCL-BPF073G-N	A
SCALE 1:1	DOC FAMILY BPF	SHEET 1 OF 1	