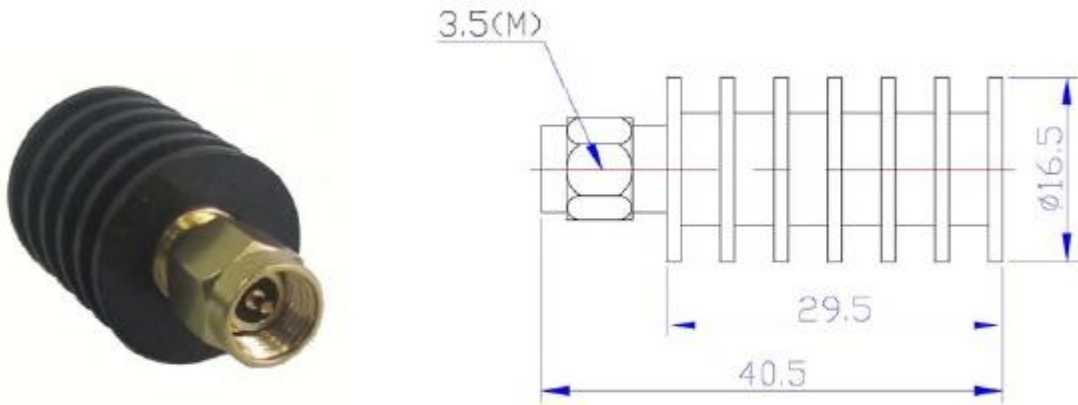


Model UCL-3.5T10 DC-26.5GHz 10 Watts



Coaxial fixed terminations absorb RF & microwave energy and are commonly used as dummy loads of antenna and transmitter. They are also used as match ports in many multipoint microwave device such as circulator and directional coupler to make these ports which are not involved in the measurement be terminated in their characteristic impedance in order to ensure an accurate measurement.

UCL-T serial high power coaxial fixed termination's average power 2W-10KW, frequency range dc-40GHz and feature wide frequency band, low VSWR, excellent capacity in anti-pulse and anti-burnout.

MECHANICAL SPECIFICATIONS	
Connectors	Brass Nickel Plated
Male Pin	Brass Gold Plated
Female Pin	Beryllium Copper Gold Plated
Housing	Aluminum, Black Anodize
Temp Range	-55° C ~ +125° C
Dimensions	Φ26×32.8mm
Weight	15g

RoHS Compliant: Yes

ELECTRICAL SPECIFICATIONS

Model Number	Frequency Range(GHz)	Max VSWR
UCL-3.5T10	DC – 26.5	1.15-1.25

NOMINAL IMPEDANCE: 50Ω

AVERAGE POWER: 10W average to 25°C ambient temperature, derated linearly to 2W @ 125°C.

PEAK POWER: 0.5KW (5μs pulse width with 2% duty cycle)

CONNECTOR TYPE: 3.5mm

Notes:

1. Dimensions Tolerance ±2%
2. Dimensions and specifications refer to connector type N unless otherwise specified.
3. Custom designs available.