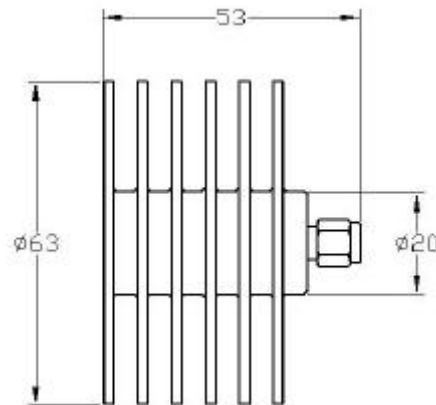


Model UCL-2.92T20-40 DC-40GHz 20 Watts



Coaxial fixed terminations absorb RF & microwave energy and are commonly used as dummy loads of antenna and transmitter. They are also used as match ports in many multiport microwave device such as circulator and directional coupler to make these ports which are not involved in the measurement be terminated in their characteristic impedance in order to ensure an accurate measurement.

UCL-T serial high power coaxial fixed termination's average power 2W-10KW, frequency range dc-40GHz and feature wide frequency band, low VSWR, excellent capacity in anti-pulse and anti-burnout.

MECHANICAL SPECIFICATIONS	
Connectors	Brass Nickel Plated
Male Pin	Brass Gold Plated
Female Pin	Beryllium Copper Gold Plated
Housing	Aluminum, Black Anodize
Temp Range	-55° C ~ +125° C
Dimensions	Φ63×53mm
Weight	135g

RoHS Compliant: Yes

ELECTRICAL SPECIFICATIONS

Model Number	Frequency Range(GHz)	Max VSWR	
		A	B
UCL-2.92T20-40	DC - 18	1.20	1.25
	18 - 40	1.25	1.35

NOMINAL IMPEDANCE: 50Ω

AVERAGE POWER: 20W average to 25°C ambient temperature, derated linearly to 2W @ 125°C.

PEAK POWER: 1KW (5μs pulse width with 2% duty cycle)

CONNECTOR TYPE: 2.92mm

Notes:

1. Dimensions Tolerance ±2%
2. Dimensions and specifications refer to connector type N unless otherwise specified.
3. Custom designs available.