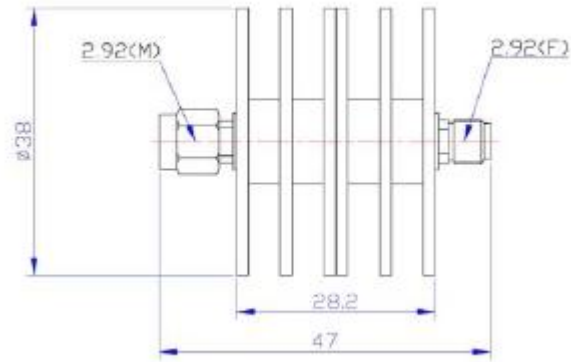


## Model UCL-2.92SP10 DC-40GHz 10 Watts



Coaxial fixed attenuators are used in absorbing energy of transmission line, expanding power range and controlling power level, they are also used in accurately measuring power or spectrum of RF microwave transmitters accompany with small power meter, comprehensive tester or spectrum analyzer.

UCL-2.92SP10 coaxial fixed attenuators' average power 10W, frequency range from DC-40GHz and feature wide frequency band, low VSWR, flatness attenuation value and excellent capacity in anti-pulse and anti-burnout etc.

### MECHANICAL SPECIFICATIONS

Connectors	Brass Gold Plated
Male Pin	Brass Gold Plated
Female Pin	Beryllium Copper Gold Plated
Housing	Aluminum
Temp Range	-55°C~+125°C
Dimensions	Φ38×78.5mm
Weight	25g

**RoHS Compliant: Yes**

### ELECTRICAL SPECIFICATIONS

Model Number	Frequency Range(GHz)	Attenuation Value & Accuracy (dB)				Max VSWR
		1-9	10	20	30	
UCL-2.92SP10 -XX-18	DC-18	±1.0	-1.0/+0.5	-1.0/+0.5	-1.0/+0.5	1.20
UCL-2.92SP10 -XX-26.5	DC-26.5	±1.0	±1.0	±1.0	±1.0	1.25
UCL-2.92SP10 -XX-32	DC-32	-1.0/+1.3	-1.0/+1.2	-1.0/+1.2	-1.0/+1.2	1.35
UCL-2.92SP10 -XX-40	DC-40	-1.0/+1.5	-1.0/+1.5	-1.0/+1.5	-1.0/+1.5	1.45

Note: XX refer to attenuation value in dB

**NOMINAL IMPEDANCE:** 50Ω

**AVERAGE POWER:** 10W average to 25°C ambient temperature, derated linearly to 0.5W @ 125°C.

**PEAK POWER:** 1KW (5μs pulse width with 0.4% duty cycle)

**CONNECTOR TYPE:** 2.92mm

#### Notes:

1. Dimensions Tolerance ±2%
2. Custom designs available for other special attenuation value & accuracy.