

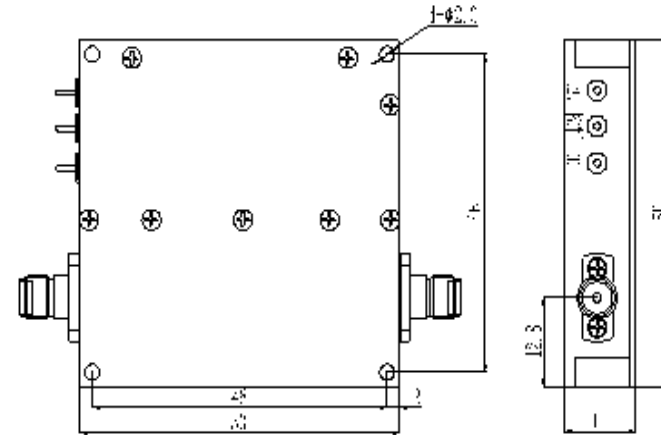
SMA AMPLIFIER GAIN 40DB 6-18GHZ

RLNA6G18

SPECIFICATIONS

ELECTRICAL:

FREQUENCY :6-18GHZ
 GAIN: 40DB
 P1DB: 30 DBM
 NF: 3.5 DB MAX
 VSWR: 2.0 MAX
 CONNECTOR TYPE: SMA-50K
 OPERATING VOLTAGE: 12V/1.6A
 AMPLITUDE FREQUENCY:±2.5DdB MAX
 OPERATING TEMPERATURE: -45 ° C TO +55 ° C
 ROHS COMPLIANT



REVISION HISTORY			
REV	DESCRIPTION	DATE	APPROVED
A	PRODUCTION		



Universal Cooperate Ltd.

Web:www.ucl-microwave.com

46 Langham Rd
Edgware,
HA8 9EL The UK

TITLE

SMA AMPLIFIER GAIN 40DB 6-18GHZ

SIZE

A

CAGE CODE

MODEL

RLNA6G18

REV

A

SCALE 1:1

DOC FAMILY

SHEET 1 OF 1