



UNIVERSAL COOPERATE LTD.

Model UCL-VAK5

Continuous Variable Attenuator

5 Watts DC-2GHz



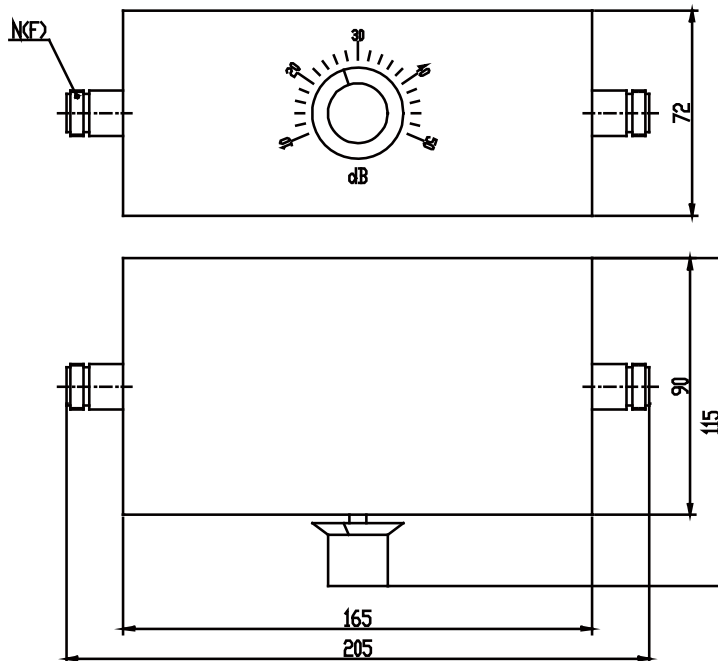
Continuous variable attenuators can be used to adjust the power signal level continuously within certain frequency range without power off, they can also be used to adjust the test system's power level as inset attenuators, it is small with high accuracy and high stability etc.

NOMINAL IMPEDANCE: 50Ω
AVERAGE POWER: 5W.
TEMPERATURE RANGE: -40°C~+65°C
CONNECTOR TYPE: N,SMA
WEIGHT: 250g
PHYSICAL DIMENSIONS: 205×115×72mm

UCL-VAK5 coaxial variable attenuators' average power 5W, frequency range from DC-2GHz.

Model Number	Attenuation Range (dB)	Insertion Loss(dB)	Direct Reading Dial Calibrate Frequency(MHz)	Max VSWR
UCL-VAK5	10-60dB(1GHz)	10	900	≤1.5
	10-50dB(1-2GHz)		1800	

Outline Drawings



* Dimensions are given in mm and tolerance ±2%.

** VSWR varies according to frequency and attenuation value.

*** VSWR and dimensions refer to connector type N.