



UNIVERSAL COOPERATE LTD.

Model UCL-VA2-2-XX-X-A2

Rotary Step Attenuator

2 Watts DC-3GHz



Rotary Step attenuators can be used to adjust the power signal level by step within certain frequency range without power off, they can also be used to adjust the test system's power level as inset attenuators, it is small with high accuracy and high stability etc.

UCL-VA serial A2 type rotary step attenuators' average power 2W, frequency range from DC-3GHz, attenuation value 0-100dB by 0.1dB/ 1dB/ 10dB steps.

NOMINAL IMPEDANCE: 50Ω

AVERAGE POWER: 2W

PEAK POWER: 100W (5μs pulse width with 2% duty cycle)

TEMPERATURE RANGE: -20°C~+85°C

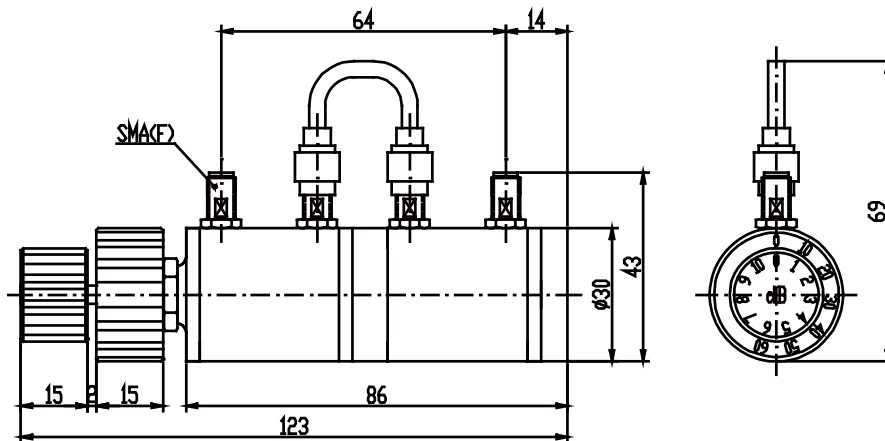
CONNECTOR TYPE: SMA(F,F)

WEIGHT: 435g

PHYSICAL DIMENSIONS: φ30×123mm

Model Number	Frequency Range(GHz)	Attenuation Step Size	Max VSWR	Insertion Loss(dB)	Attenuation Accuracy (dB)
UCL-VA2-2-11-1-A2	DC-1	0-11dB in 0.1dB steps	1.25	≤0.6	±0.2dB(≤1dB) ±0.3dB (>1dB)
UCL-VA2-2-11-2.5-A2	DC-2.5		1.4	≤1.0	
UCL-VA2-2-11-3-A2	DC-3		1.6	≤1.2	
UCL-VA2-2-70-1-A2	DC-1	0-70dB in 1dB steps	1.25	≤0.6	±0.3dB(≤10dB)
UCL-VA2-2-70-2.5-A2	DC-2.5		1.4	≤1.0	±0.8dB (≤60dB)
UCL-VA2-2-70-3-A2	DC-3		1.6	≤1.2	±1.5dB (>60dB)
UCL-VA2-2-100-1-A2	DC-1	0-100dB in 1dB steps	1.25	≤0.6	±0.3dB(≤10dB)
UCL-VA2-2-100-2.5-A2	DC-2.5		1.4	≤1.0	±0.8dB (≤60dB)
UCL-VA2-2-100-3-A2	DC-3		1.6	≤1.2	±1.5dB (≤70dB) ±4% (>70dB)

Outline Drawings



* Dimensions are given in mm and tolerance ±2%.

** VSWR varies according to frequency.