

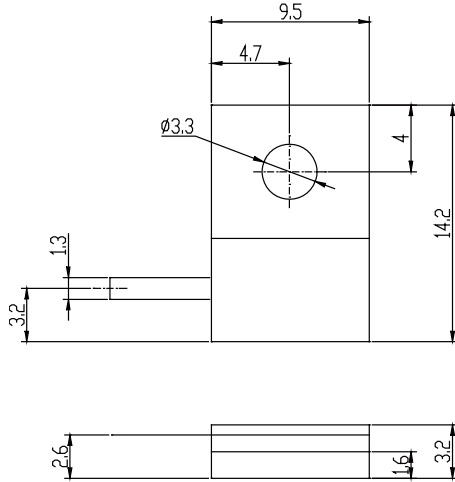


UNIVERSAL COOPERATE LTD.

**Model** UCL50-50TCG

**High Power Resistors**

**50Watts DC-2GHz**



**SPECIFICATIONS**

**Max VSWR:**  $\leq 1.35$

**Standard Resistance:** 50 $\Omega$

**Capacitance:** 0.75pF

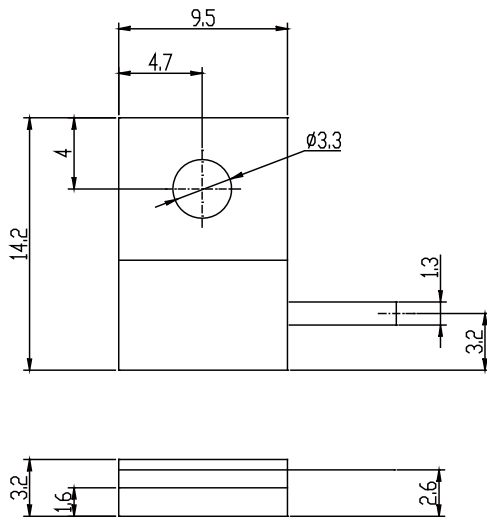
**Temperature Range:** 0.2  $^{\circ}$ C/W

**Dimensions:** 14.2 $\times$ 9.5 $\times$ 3.2mm

**Model** UCL50-50TCGR

**High Power Resistors**

**50Watts DC-2GHz**



**SPECIFICATIONS**

**Max VSWR:**  $\leq 1.35$

**Standard Resistance:** 50  $\Omega$

**Capacitance:** 0.75pF

**Temperature Range:** 0.2  $^{\circ}$ C/W

**Dimensions:** 14.2 $\times$ 9.5 $\times$ 3.2mm

- Note:1、 Resistance tolerance: standard tolerance  $\pm 5\%$ ,  $\pm 2\%$ .
- 2、 Resistance range: 0.5-20000 $\Omega$ , standard 50-100 $\Omega$ .
- 3、 Use additional lumped element and matched line to get lower VSWR.
- 4、 Operation board and lead can be made according to customer's demand.
- 5、 Machining tolerance is  $\pm 0.10$ , shortest lead length is 3.8mm, except special note.
- 6、 Resistances without bottom board are expressed with -W at the end of model no.
- 7、 Custom designed for special demand.