

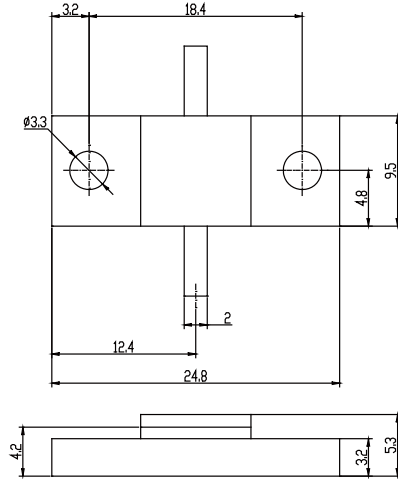


UNIVERSAL COOPERATE LTD.

Model UCL250-100RM

High Power Resistors

250Watts DC-1GHz



SPECIFICATIONS

Max VSWR: ≤ 1.35

Standard Resistance: 100Ω

Capacitance: 3.5pF

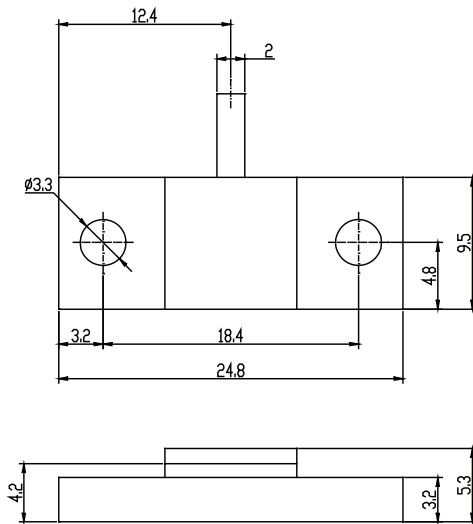
Temperature Range: 0.2 °C/W

Dimensions: 24.8×9.5×5.3mm

Model UCL250-50TC

High Power Resistors

250Watts DC-1GHz



SPECIFICATIONS

Max VSWR: ≤ 1.35

Standard Resistance: 50 Ω

Capacitance: 3.5pF

Temperature Range: 0.2 °C/W

Dimensions: 24.8×9.5×5.3mm

Note:1、 Resistance tolerance: standard tolerance $\pm 5\%$, $\pm 2\%$.

2、 Resistance range: 0.5-20000Ω, standard 50-100Ω.

3、 Use additional lumped element and matched line to get lower VSWR.

4、 Operation board and lead can be made according to customer's demand.

5、 Machining tolerance is ± 0.10 , shortest lead length is 3.8mm, except special note.

6、 Resistances without bottom board are expressed with -W at the end of model no.

7、 Custom designed for special demand.