



UNIVERSAL COOPERATE LTD.

Model UCL-BPSBMT100

Phase-VSWR-Variable

Mismatch Terminations

**100Watts 850-960MHz
1920-2170MHz**



Coaxial mismatch termination provides one phase-variable reflection coefficient in RF system and are used in performance test of power amplifier by simulating special reflect condition of antenna or terminal system. According to phase and VSWR variable or not, mismatch terminations include: fixed VSWR mismatch terminations, VSWR variable mismatch terminations, phase-variable coaxial mismatch termination, phase-VSWR-variable coaxial mismatch termination.

UCL-BPSBMT phase-variable mismatch terminations' average power 100W, frequency range according to Customer's demand, VSWR 1.2-5 and phase adjustable from 0-360°.

NOMINAL IMPEDANCE: 50Ω

AVERAGE POWER: 100W

TEMPERATURE RANGE: -55°C~+125°C

CONNECTOR TYPE: N(K)

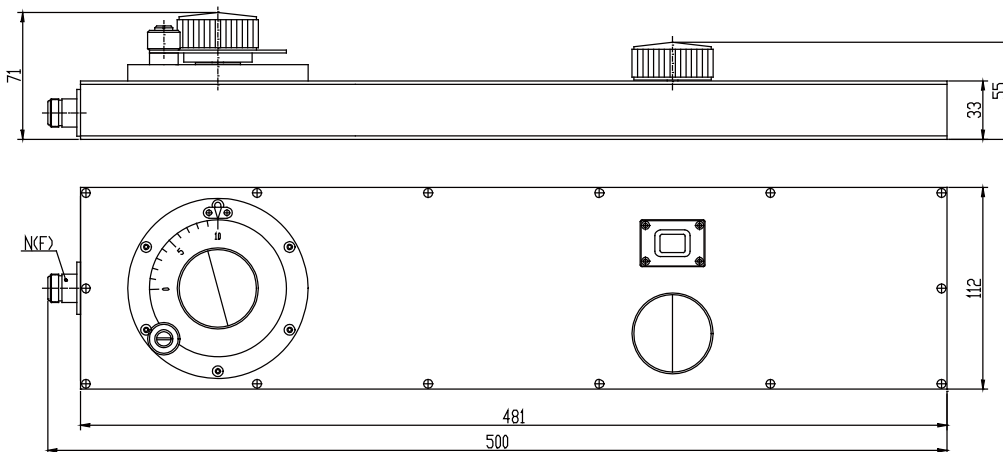
WEIGHT: 3.75Kg

PHYSICAL DIMENSIONS:

500×112×71mm (Include Connector)

Model Number	Frequency Range(MHz)	VSWR	Calibrate Frequency(MHz)	Phase Adjustable
UCL-BPSBMT100-905	850~960	1.2-5	905	0~360°
UCL-BPSBMT100-2045	1920~2170		2045	

Outline Drawings



* Dimensions are in mm and tolerance ±2%.

** Frequency range, VSWR and calibrate frequency according to Customer's demand.