



UNIVERSAL COOPERATE LTD.

Model UCL-GZL

DC-Blocks

50V DC-26.5GHz



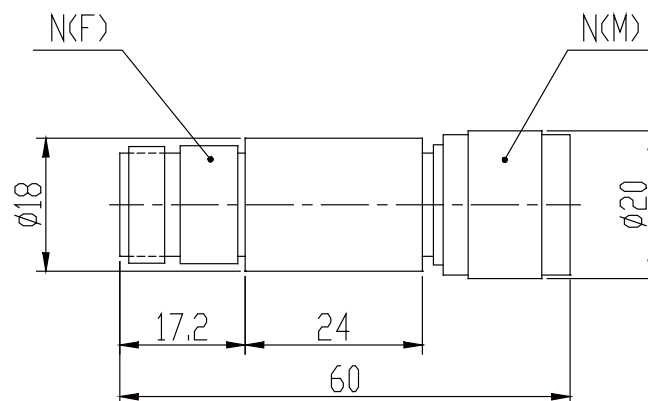
DC-Blocks prevent DC current flow while permitting RF power to flow, thus to isolate DC power from signal sources and measure instruments with broadband performance and low insertion loss.

NOMINAL IMPEDANCE: 50Ω

TEMPERATURE RANGE: -55°C~+100°C

Model Number	Frequency Range(GHz)	Insertion Loss(dB)	VSWR	DC Voltage (V)	Connector Type	Dimensions (mm)	Weight (g)
UCL-GZL	0.1-4	≤0.2	<1.20	50	N(M)-N(F)	φ20×60	65
	4-8	≤0.3	<1.30				
	8-12.4	≤0.5	<1.40				
	12.4-18	≤0.8	<1.45				
UCL-GZL-SMA	0.1-4	≤0.2	<1.20	50	SMA(M)-SMA(F)	A:φ18×56.8 B: φ11×40	A:35g B:15g
	4-8	≤0.3	<1.30				
	8-12.4	≤0.5	<1.40				
	12.4-18	≤0.8	<1.45				
	18-26.5	≤0.8	<1.60				

Outline Drawings



* Dimensions are given in mm and tolerance ±2%.

** VSWR varies according to frequency.

*** VSWR and dimensions refer to connector type N.