



UNIVERSAL COOPERATE LTD.

Model UCL-WIHP50

Inset Attenuator

50 Watts DC-10GHz



Inset attenuators are used in absorbing energy of transmission line, expanding power range and controlling power level, they are also used in accurately measuring power or spectrum of RF microwave transmitters accompany with small power meter, comprehensive tester or spectrum analyzer.

UCL-WIHP50 serial Inset attenuators' average power from 50W-200W, frequency range from DC-10GHz.

NOMINAL IMPEDANCE: 50Ω

AVERAGE POWER: 50W average to 25°C ambient temperature, derated linearly to 5W @ 125°C.

PEAK POWER: 5KW (5μs pulse width with 1% duty cycle)

3rd ORDER INTERMODULATION(Optional):

Reflected Levels(IM3) <-100dBc with two input signals @935MHz and 960MHz with average carrier power levels of +43dBm each.

TEMPERATURE RANGE: -55°C~+125°C

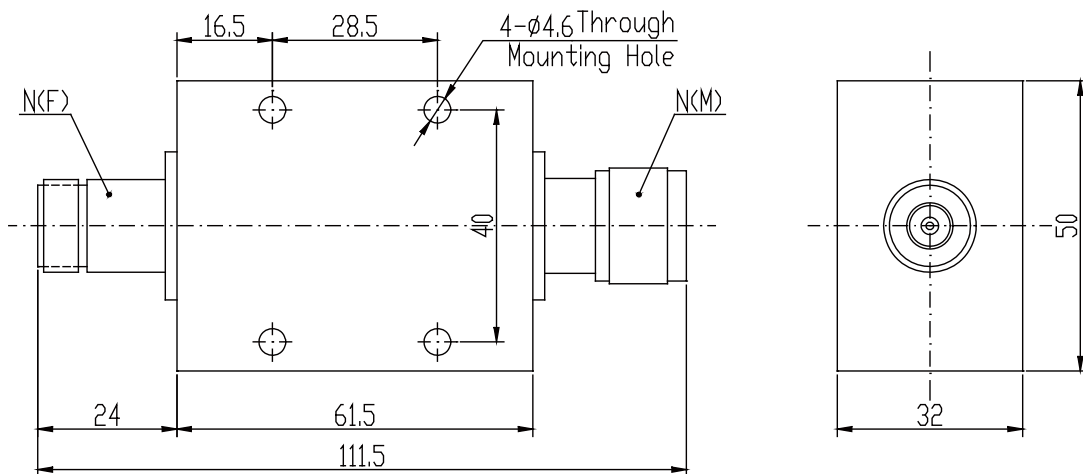
CONNECTOR TYPE: N,SMA

WEIGHT: 0.5Kg

PHYSICAL DIMENSIONS: 111.5×50×32mm

Model Number	Frequency Range (GHz)	Attenuation & Accuracy(dB)				Max VSWR
		10	20	30	40	
UCL-WIHP50	DC-4	±0.3	±0.3	±0.3	/	1.20
	DC-8	±0.5	±0.5	±0.5	/	1.30
	DC-10	±0.8	±0.8	±0.8	/	1.35

Outline Drawings



* Dimensions are given in mm and tolerance ±2%.

** VSWR varies according to frequency and attenuation value.

*** VSWR and dimensions refer to connector type N.