



UNIVERSAL COOPERATE LTD.

**Model UCL-WHT400  
Coaxial Fixed Termination  
400 Watts DC-10GHz**



Coaxial fixed terminations absorb RF& microwave energy and are commonly used as dummy loads of antenna and transmitter. They are also used as match ports in many multiport microwave device such as circulator and directional coupler to make these ports which are not involved in the measurement be terminated in their characteristic impedance in order to ensure an accurate measurement.

UCL-WHT400 serial wide-band high power coaxial fixed termination's average power from 50W-500W, frequency range from DC-18GHz and the features include wide frequency band, low VSWR, excellent capacity in anti-pulse and anti-burnout etc.

**NOMINAL IMPEDANCE:** 50Ω

**AVERAGE POWER:** 400W average to 25°C ambient temperature, derated linearly to 40W @ 125°C.

**PEAK POWER:** 5KW (5μs pulse width with 8% duty cycle)

**3<sup>rd</sup> ORDER INTERMODULATION(Optional):**

Reflected Levels(IM3) <-100dBc with two input signals @935MHz and 960MHz with average carrier power levels of +43dBm each.

**TEMPERATURE RANGE:** -55°C~+125°C

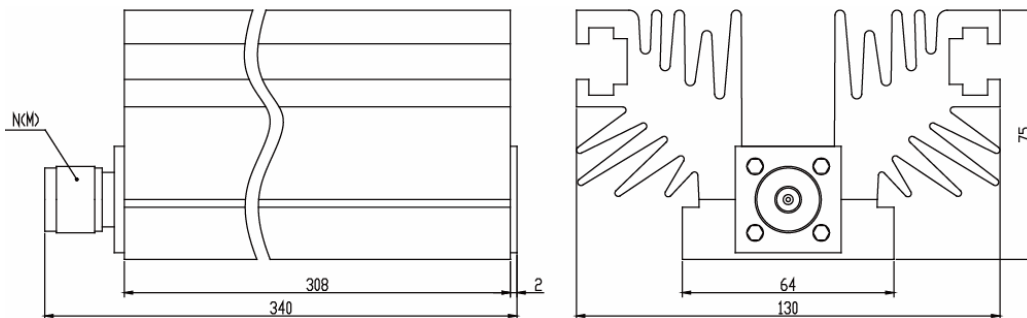
**CONNECTOR TYPE:** N,7/16

**WEIGHT:** 3.5Kg

**PHYSICAL DIMENSIONS:** 340×130×75mm

Model Number	Frequency Range(GHz)	Max VSWR
UCL-WHT400-3	DC-3	1.15
UCL-WHT400-6	DC-6	1.30
UCL-WHT400-8	DC-8	1.45
UCL-WHT400-10	DC-10	1.50

**Outline Drawings**



\* Dimensions are given in mm and tolerance ±2%.

\*\* VSWR varies according to frequency.

\*\*\* VSWR and dimensions refer to connector type N.

Universal Cooperate Ltd.

Rep Office:46 Langham Rd Edgware,HA8 9EL The UK

Web: www.ucl-microwave.com

Email: sales@ucl-microwave.com