



UNIVERSAL COOPERATE LTD.

Model UCL-HT1000B(BF)
Oil-cooled Termination
1000 Watts DC-2GHz



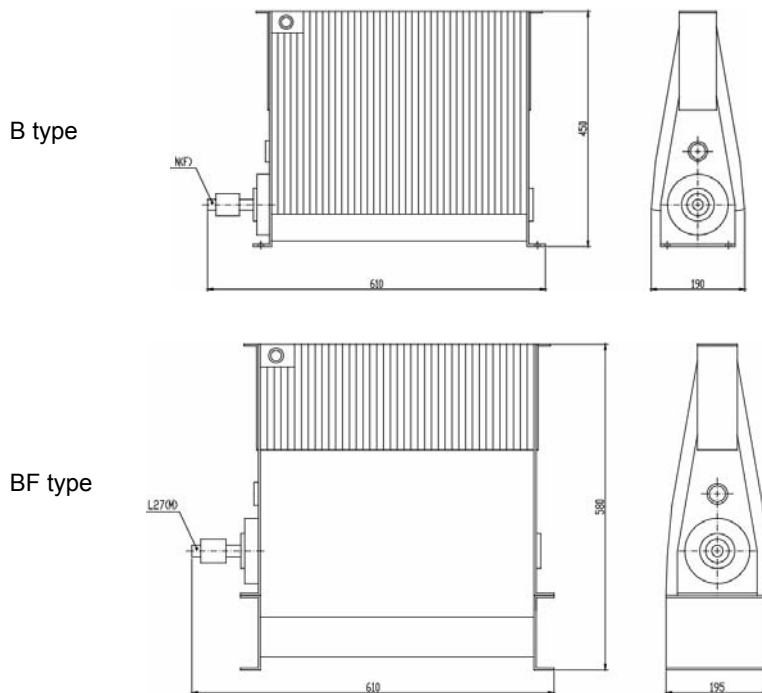
Coaxial fixed terminations absorb RF& microwave energy and are commonly used as dummy loads of antenna and transmitter. They are also used as match ports in many multiport microwave device such as circulator and directional coupler to make these ports which are not involved in the measurement be terminated in their characteristic impedance in order to ensure an accurate measurement.

UCL-HT1000B(BF) serial oil-cooled high power coaxial fixed termination's average power from 1KW-10KW, frequency range from DC-2GHz and the features include wide frequency band, low VSWR, excellent capacity in anti-pulse and anti-burnout etc.

NOMINAL IMPEDANCE: 50Ω
AVERAGE POWER: 1000W
PEAK POWER: 50KW
 (5μs pulse width with 2% duty cycle)
COOLING METHOD: oil-cooled+ forced draft
AMBIENT TEMPERATURE: -40°C~+45°C
CONNECTOR TYPE: N,7/16,L27
WEIGHT: B:27Kg; BF:30Kg
PHYSICAL DIMENSIONS: B: 610×190×450mm;
 BF: 610×195×580mm(with fans)

Model Number	Frequency Range(GHz)	Max VSWR
UCL-HT1000-2G-B	DC-2	1.3
UCL-HT1000-2G-BF	DC-2	1.3

Outline Drawings



- * Dimensions are given in mm and tolerance $\pm 2\%$.
- ** VSWR varies according to frequency.
- *** VSWR and dimensions refer to connector type N.