



UNIVERSAL COOPERATE LTD.

Model UCL-HTE30

Coaxial Fixed Termination

30 Watts DC-10GHz



Coaxial fixed terminations absorb RF& microwave energy and are commonly used as dummy loads of antenna and transmitter. They are also used as match ports in many multiport microwave device such as circulator and directional coupler to make these ports which are not involved in the measurement be terminated in their characteristic impedance in order to ensure an accurate measurement.

UCL-HTE30 coaxial fixed termination's average power 30W, frequency range from DC-10GHz and the features include wide frequency band, low VSWR, excellent capacity in anti-pulse and anti-burnout etc.

NOMINAL IMPEDANCE: 50Ω

AVERAGE POWER: 30W

PEAK POWER: 1KW (5μs pulse width with 3% duty cycle)

3rd ORDER INTERMODULATION(Optional):

Reflected Levels(IM3) <-100dBc with two input signals @935MHz and 960MHz with average carrier power levels of +43dBm each.

TEMPERATURE RANGE: -55°C~+125°C

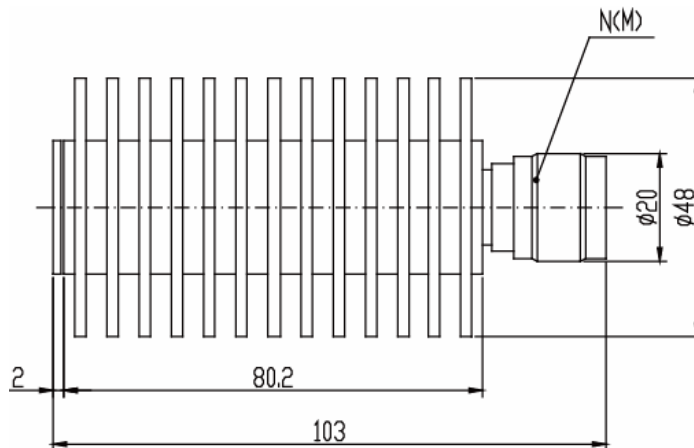
CONNECTOR TYPE: N(J), N(K)

WEIGHT: 285g

PHYSICAL DIMENSIONS: Φ48×103mm

Model Number	Frequency Range(GHz)	Max VSWR
UCL-HTE30-3	DC-3	1.15
UCL-HTE30-6	DC-6	1.35
UCL-HTE30	DC-10	1.45

Outline Drawings



* Dimensions are given in mm and tolerance ±2%.

** VSWR varies according to frequency.

*** VSWR and dimensions refer to connector type N.