

Model UCL-SSPKF

Coaxial Fixed Attenuator

2 Watts DC-18GHz



Model Number	Frequency Range (GHz)	Attenuation Value & Accuracy (dB)				Max VSWR
		1-9	10	20	30	
UCL-SSPKF-4	DC-4	±0.4	±0.4	±0.4	±0.4	1.15
UCL-SSPKF-8	DC-8	±0.4	±0.4	±0.5	±0.5	1.20
UCL-SSPKF-12.4	DC-12.4	±0.5	±0.5	±0.6	±0.6	1.25
UCL-SSPKF-18	DC-18	±0.8	±0.8	±0.8	±0.8	1.35

Note: XX refer to attenuation value in dB

Coaxial fixed attenuators are used in absorbing energy of transmission line, expanding power range and controlling power level, they are also used in accurately measuring power or spectrum of RF microwave transmitters accompany with small power meter, comprehensive tester or spectrum analyzer.

UCL-SSPKF coaxial fixed attenuators' average power 2W, frequency range from DC-18GHz and feature wide frequency band, low VSWR, flatness attenuation value and excellent capacity in anti-pulse and anti-burnout etc.

NOMINAL IMPEDANCE: 50Ω

AVERAGE POWER: 2W average to 25°C ambient temperature, derated linearly to 0.5W @ 125°C.

PEAK POWER: 0.5KW (5μs pulse width with 0.4% duty cycle)

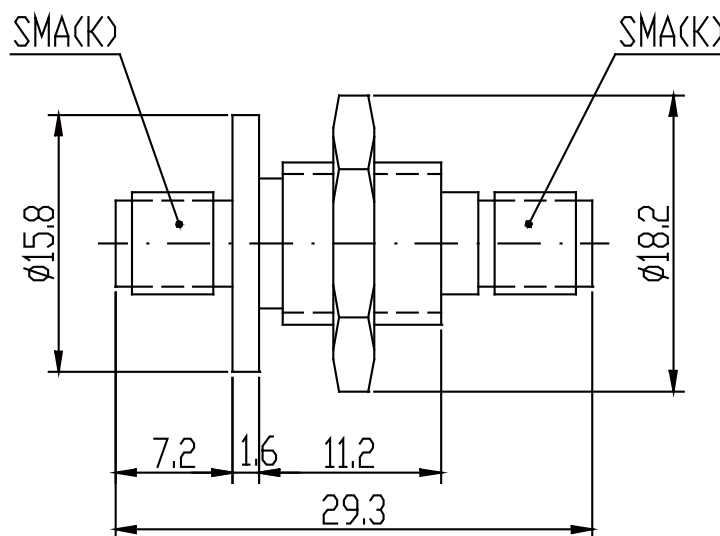
TEMPERATURE RANGE: -55°C ~+125°C

CONNECTOR TYPE: SMA(M,F)

WEIGHT: 10g

PHYSICAL DIMENSIONS: Φ 18.2×29.3mm

Outline Drawings



* Dimensions are given in mm and tolerance $\pm 2\%$.

** VSWR varies according to frequency and attenuation value.