



UNIVERSAL COOPERATE LTD.

Model UCL-HTE2

Coaxial Fixed Termination

2 Watts DC-8GHz



Coaxial fixed terminations absorb RF& microwave energy and are commonly used as dummy loads of antenna and transmitter. They are also used as match ports in many multiport microwave device such as circulator and directional coupler to make these ports which are not involved in the measurement be terminated in their characteristic impedance in order to ensure an accurate measurement.

UCL-HTE2 coaxial fixed termination's average power 2W, frequency range from DC-8GHz and the features include wide frequency band, low VSWR, excellent capacity in anti-pulse and anti-burnout etc.

NOMINAL IMPEDANCE: 50Ω

AVERAGE POWER: 2W

PEAK POWER: 0.5KW (5μs pulse width with 0.4% duty cycle)

TEMPERATURE RANGE: -55°C~+125°C

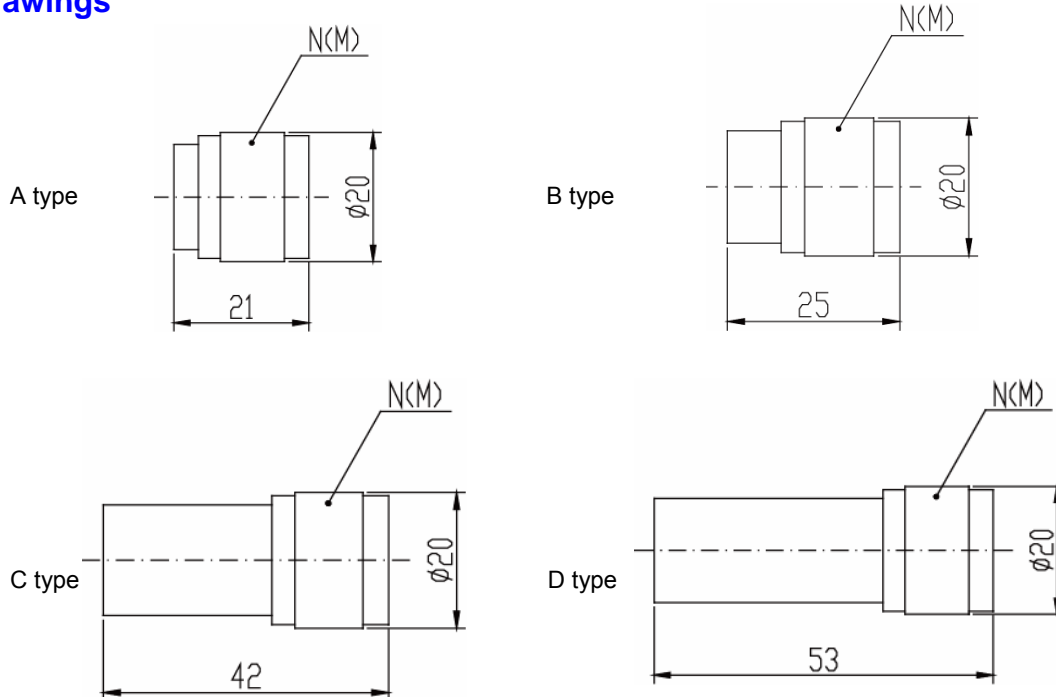
CONNECTOR TYPE: N(M)

PHYSICAL DIMENSIONS: A: Φ20×21mm; B: Φ20×25mm;
C: Φ20×42mm; D: Φ20×53mm

WEIGHT: A:25g; B:30g; C:40g; D:50g

Model Number	Frequency Range(GHz)	Max VSWR
UCL-HTE2-3	DC-3	1.10
UCL-HTE2-6	DC-6	1.15
UCL-HTE2-8	DC-8	1.25

Outline Drawings



* Dimensions are given in mm and tolerance ±2%.
** VSWR varies according to frequency.
*** VSWR and dimensions refer to connector type N.