



UNIVERSAL COOPERATE LTD.

Model UCL-HP10000

High Power Oil-Cooled Attenuator

10000 Watts DC-1GHz



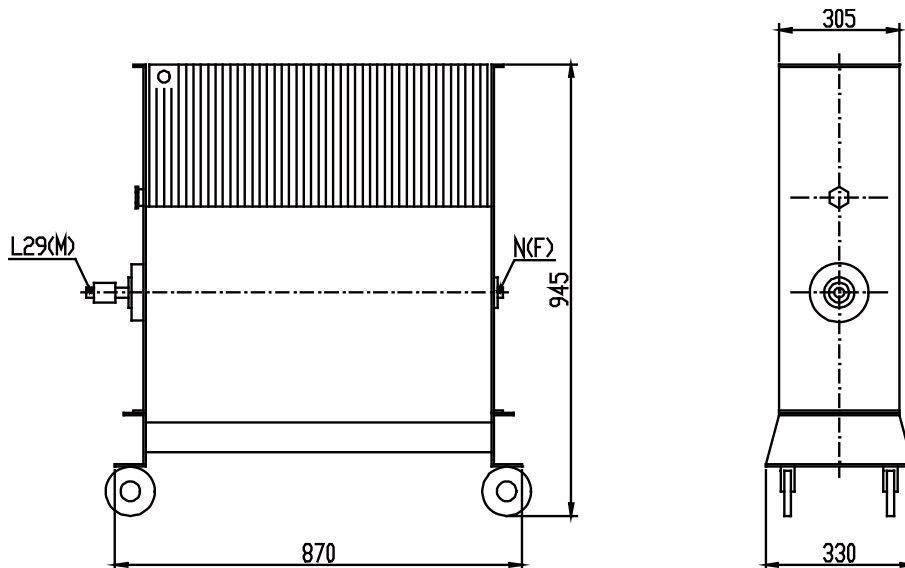
Coaxial fixed attenuators are used in absorbing energy of transmission line, expanding power range and controlling power level, they are also used in accurately measuring power or spectrum of RF microwave transmitters accompany with small power meter, comprehensive tester or spectrum analyzer.

UCL-HP serial oil-cooled coaxial attenuators' average power 1-10KW, frequency range DC-2GHz and feature wide frequency band, low VSWR, flatness attenuation value, excellent capacity in anti-pulse and anti-burnout.

NOMINAL IMPEDANCE: 50Ω
POWER RATING: 10000W continuously
PEAK POWER: 100KW
AMBIENT TEMPERATURE: -40°C~+45°C
CONNECTOR TYPE: L29,L36,L52
OPERATING POSITION: Horizontal only
COOLING METHOD: oil-cooled+ forced draft
FINISH: Gray Powder Coat
WEIGHT: 110Kg
PHYSICAL DIMENSIONS: 870×330×945mm

Model Number	Frequency Range(GHz)	Attenuation Value & Accuracy(dB)				Max VSWR
		20	30	40	50	
UCL-HP10000-1	DC-0.5	/	±1.0	±1.0	±1.0	1.4
	0.5-1	Attenuation Curve Available				

Outline Drawings



* Dimensions are given in mm and tolerance ±2%.

** VSWR varies according to frequency and attenuation value.