



UNIVERSAL COOPERATE LTD.

**Model UCL-GHP2000**  
**Coaxial Fixed Attenuator**  
**2000 Watts DC-3GHz**



Model Number	Frequency Range (GHz)	Attenuation Value & Accuracy (dB)				Max VSWR
		20	30	40	50	
UCL-GHP2000-3	DC-3	/	/	±2.0	±2.0	1.40

Coaxial fixed attenuators are used in absorbing energy of transmission line, expanding power range and controlling power level, they are also used in accurately measuring power or spectrum of RF microwave transmitters accompany with small power meter, comprehensive tester or spectrum analyzer.

UCL-GHP serial coaxial fixed attenuators' average power 1W-10KW, frequency range DC-18GHz and feature wide frequency band, low VSWR, flatness attenuation value, excellent capacity in anti-pulse and anti-burnout.

**NOMINAL IMPEDANCE:** 50Ω

**AVERAGE POWER:** 2000W average to 25°C ambient temperature, derated linearly to 200W @ 125°C.

**PEAK POWER:** 10KW (5μs pulse width with 20% duty cycle)

**3<sup>rd</sup> ORDER INTERMODULATION(Optional):**

Reflected Levels(IM3) <-100dBc with two input signals @935MHz and 960MHz with average carrier power levels of +43dBm each.

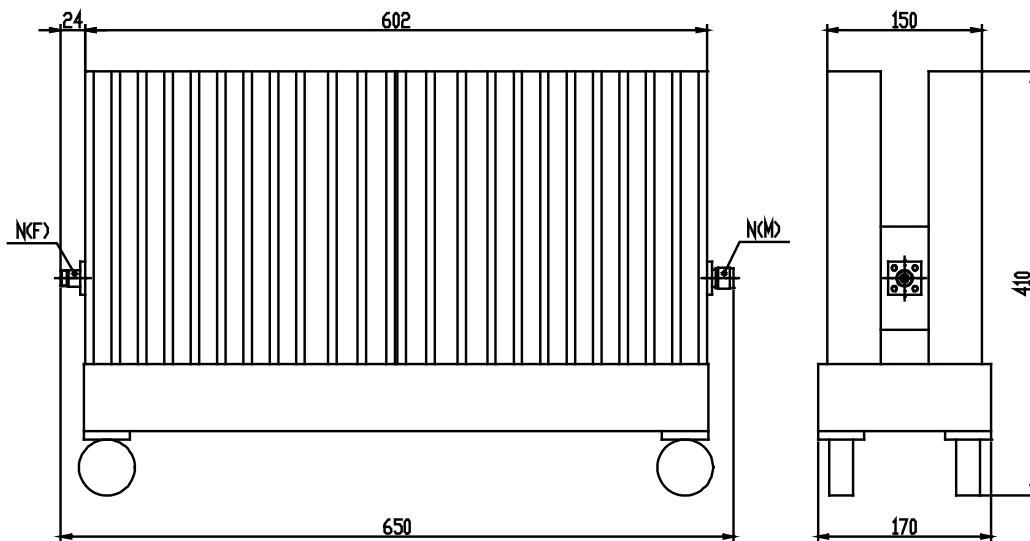
**TEMPERATURE RANGE:** -55°C~+125°C

**CONNECTOR TYPE:** N,7/16,L27

**WEIGHT:** 34Kg

**PHYSICAL DIMENSIONS:** 650×170×410mm

### Outline Drawings



\* Dimensions are given in mm and tolerance ±2%.

\*\* VSWR varies according to frequency and attenuation value.

\*\*\* VSWR and dimensions refer to connector type N.