



UNIVERSAL COOPERATE LTD.

**Model UCL-HP1000-E(F)**

**High Power Oil-Cooled Attenuator**

**1000 Watts DC-2GHz**



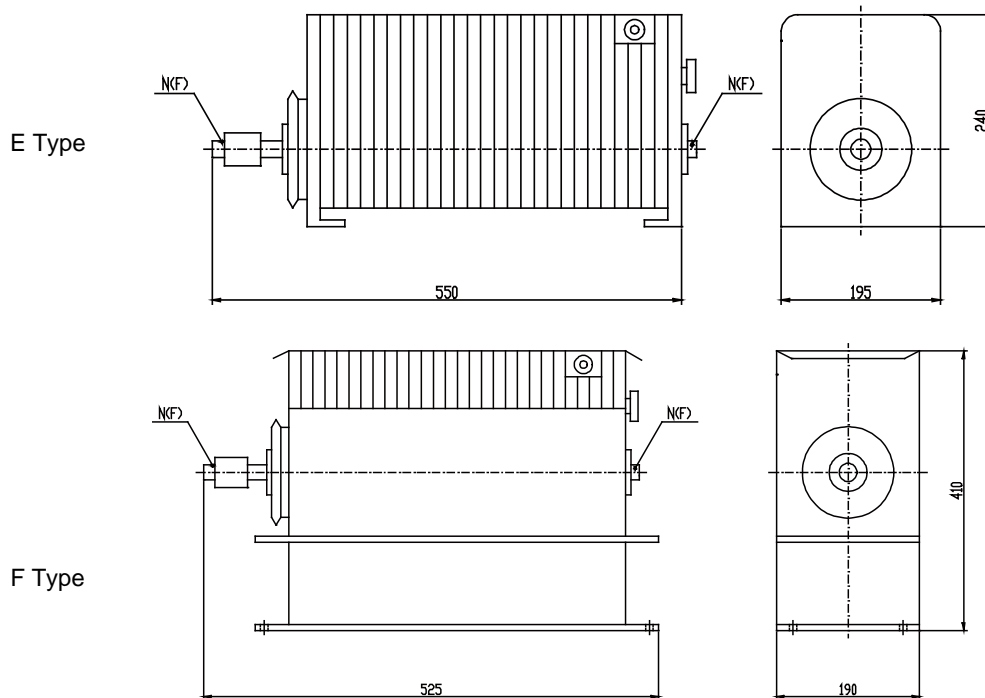
Coaxial fixed attenuators are used in absorbing energy of transmission line, expanding power range and controlling power level, they are also used in accurately measuring power or spectrum of RF microwave transmitters accompany with small power meter, comprehensive tester or spectrum analyzer.

UCL-HP serial oil-cooled coaxial attenuators' average power 1-10KW, frequency range DC-2GHz and feature wide frequency band, low VSWR, flatness attenuation value, excellent capacity in anti-pulse and anti-burnout.

**NOMINAL IMPEDANCE:** 50Ω  
**POWER RATING:** 1000W continuously  
**PEAK POWER:** 50KW  
**AMBIENT TEMPERATURE:** -40℃ ~ +45℃  
**CONNECTOR TYPE:** N,L27,7/16  
**OPERATING POSITION:** Horizontal only  
**COOLING METHOD:** oil-cooled+ forced draft  
**FINISH:** Gray Powder Coat  
**WEIGHT:** E:18Kg;F:23Kg  
**PHYSICAL DIMENSIONS:**  
 E: 550×195×240mm;F: 525×190×410mm(with fans)

Model Number	Frequency Range(GHz)	Attenuation Value & Accuracy(dB)				Max VSWR
		20	30	40	50	
UCL-HP1000-2-E(F)	DC-0.7	/	±1.0	±1.0	±1.0	1.2
	0.7-2	Attenuation Curve Available				1.3

**Outline Drawings**



\* Dimensions are given in mm and tolerance ±2%.  
 \*\* VSWR varies according to frequency and attenuation value.  
 \*\*\* VSWR and dimensions refer to connector type N.