



UNIVERSAL COOPERATE LTD.

Model UCL-HP1000-A(B)

High Power Oil-Cooled Attenuator

1000 Watts DC-2GHz



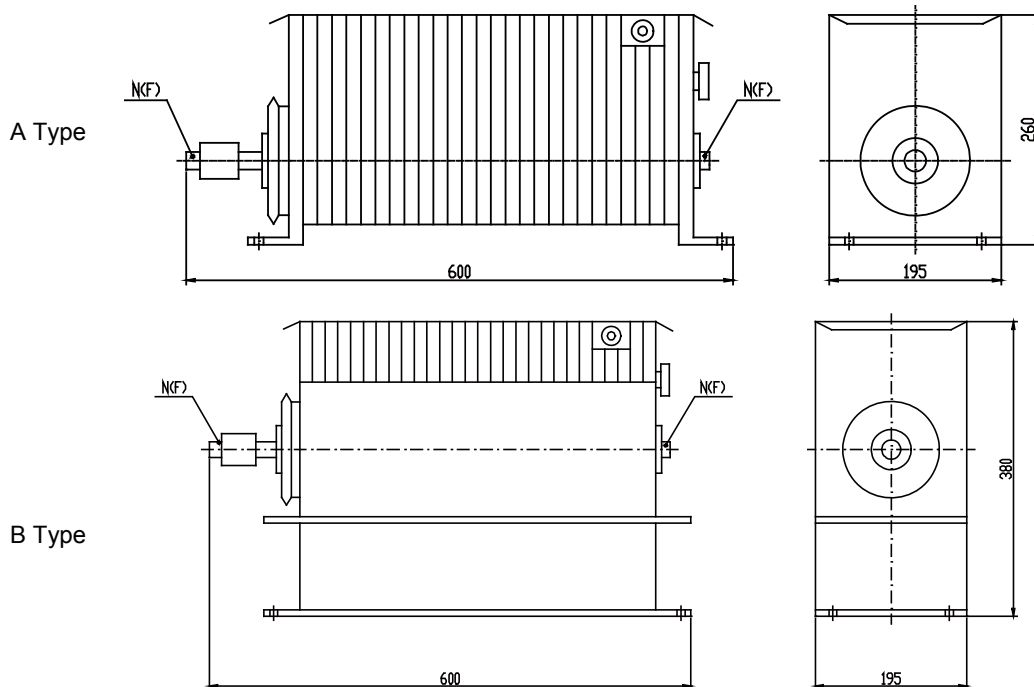
Coaxial fixed attenuators are used in absorbing energy of transmission line, expanding power range and controlling power level, they are also used in accurately measuring power or spectrum of RF microwave transmitters accompany with small power meter, comprehensive tester or spectrum analyzer.

UCL-HP serial oil-cooled coaxial attenuators' average power 1-10KW, frequency range DC-2GHz and feature wide frequency band, low VSWR, flatness attenuation value, excellent capacity in anti-pulse and anti-burnout.

NOMINAL IMPEDANCE: 50Ω
POWER RATING: 1000W continuously
PEAK POWER: 50KW
AMBIENT TEMPERATURE: -40°C~+45°C
CONNECTOR TYPE: N,L27,7/16
OPERATING POSITION: Horizontal only
COOLING METHOD: oil-cooled+ forced draft
FINISH: Gray Powder Coat
WEIGHT: A: 20kg; B: 23kg
PHYSICAL DIMENSIONS:
 A: 600×195×260mm; B: 600×195×380mm (with fans)

| Model Number | Frequency Range(GHz) | Attenuation Value & Accuracy(dB) | | | | Max VSWR |
|-------------------|----------------------|----------------------------------|------|------|------|----------|
| | | 20 | 30 | 40 | 50 | |
| UCL-HP1000-2-A(B) | DC-0.7 | / | ±1.0 | ±1.0 | ±1.0 | 1.2 |
| | 0.7-2 | Attenuation Curve Available | | | | 1.3 |

Outline Drawings



* Dimensions are given in mm and tolerance ±2%.
 ** VSWR varies according to frequency and attenuation value.
 *** VSWR and dimensions refer to connector type N.