



UNIVERSAL COOPERATE LTD.

Model UCL-HP10G

Coaxial Fixed Attenuator

10 Watts DC-18GHz



Model Number	Frequency Range (GHz)	Attenuation Value & Accuracy (dB)				Max VSWR
		10	20	30	40	
UCL-HP10G-4	DC-4	±0.4	±0.4	±0.4	±0.75	1.20
UCL-HP10G-8	DC-8	±0.5	±0.5	±0.5	±0.75	1.25
UCL-HP10G-12.4	DC-12.4	±1.0	±1.0	±1.0	±1.0	1.35
UCL-HP10G-18	DC-18	±1.2	±1.2	±1.25	±1.5	1.45

Note: XX refer to attenuation value in dB

Coaxial fixed attenuators are used in absorbing energy of transmission line, expanding power range and controlling power level, they are also used in accurately measuring power or spectrum of RF microwave transmitters accompany with small power meter, comprehensive tester or spectrum analyzer.

UCL-HP10G serial coaxial fixed attenuators' average power 1W-10KW, frequency range DC-18GHz and feature wide frequency band, low VSWR, flatness attenuation value, excellent capacity in anti-pulse and anti-burnout.

NOMINAL IMPEDANCE: 50Ω

AVERAGE POWER: 10W average to 25°C ambient temperature, derated linearly to 1W @ 125°C.

PEAK POWER: 1KW (5μs pulse width with 1% duty cycle)

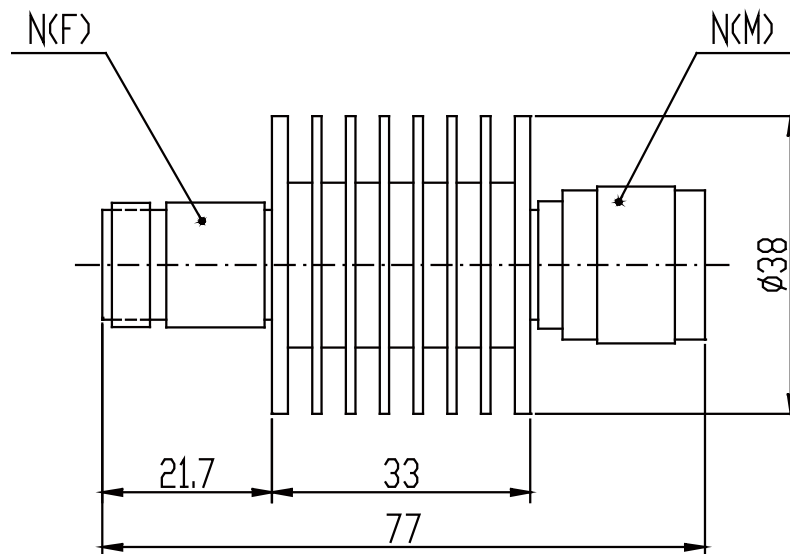
TEMPERATURE RANGE: -55°C ~+125°C

CONNECTOR TYPE: N,SMA

WEIGHT: 115g

PHYSICAL DIMENSIONS: Φ38×77mm

Outline Drawings



* Dimensions are given in mm and tolerance ±2%.

** VSWR varies according to frequency and attenuation value.

*** VSWR and dimensions refer to connector type N.